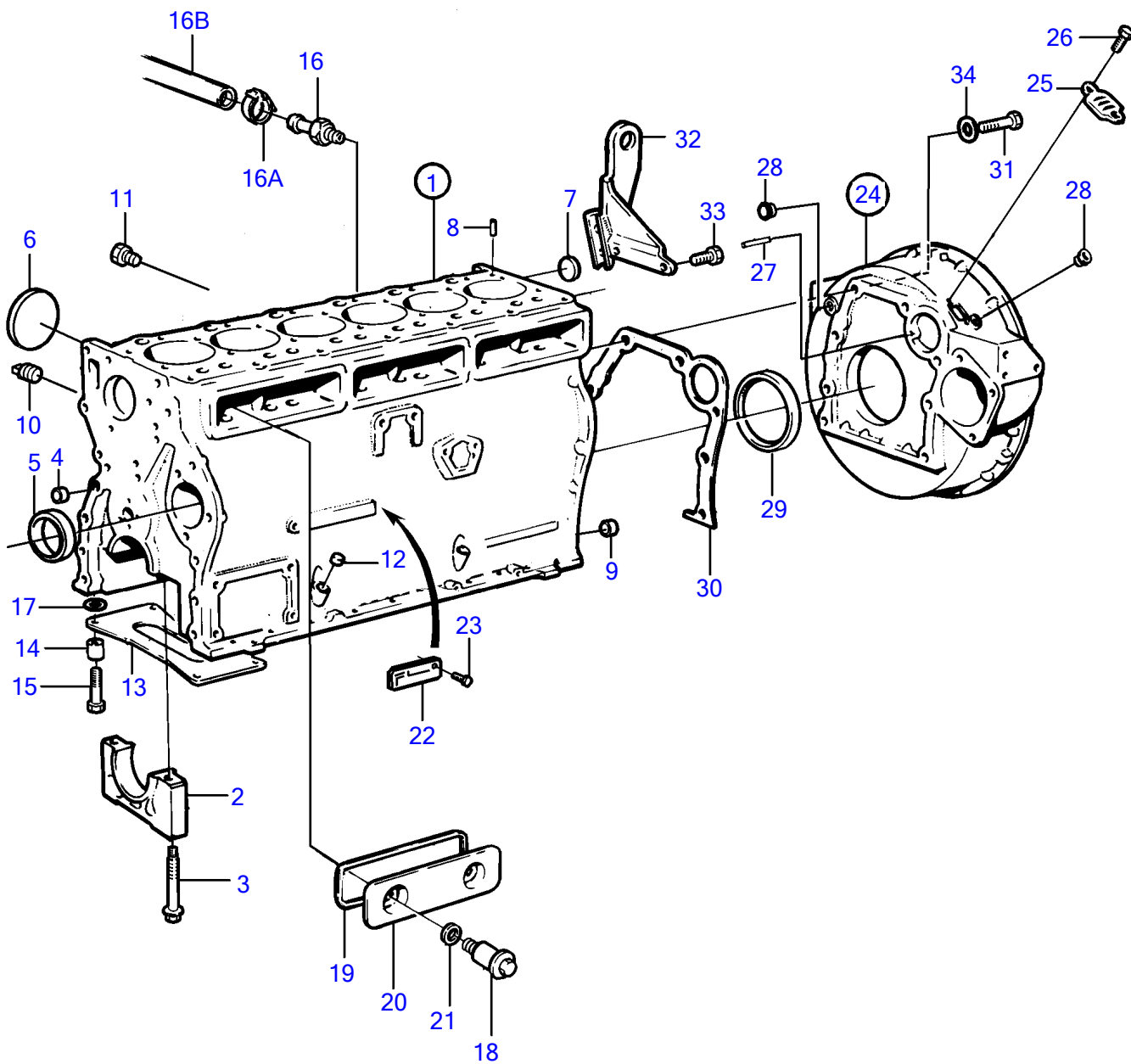


KAD42P-A, KAMD42P-A



16962

KAD42P-A, KAMD42P-A

REF	PART NO.	QTY	DESCRIPTION	NOTES
1	861690	1	Cylinder block	(861016)
2		7	• Main bearing cap	
3	861005	14	• Screw	
4	955083	4	• Cap plug	
5	1542067	7	• Camshaft bushing	
6	463905	5	• Expansion plug	
7	968955	1	• Expansion plug	
8	946402	2	• Grooved pin	
9	415311	3	• Guide sleeve	
10	479977	2	Plug	
11	479979	5	Plug	
12	955082	2	Cap plug	
13	1545159	1	Foot plate	
14	1545160	4	Spacer sleeve	
15	965187	4	Flange screw	
16	860819	1	Hose nipple	
16A	943470	1	Hose clamp	
16B	952967	1	Hose	L=900mm
17	1545204	4	Spacer sleeve	
18	859447	6	Shoulder screw	
19	1542052	3	Sealing	
20	1542050	3	Inspection lid	
21	469846	6	Sealing ring	
22		1	Sign	
23	950885	2	Drive screw	
24	860690	1	Flywheel housing	
25	407092	1	• Cover	
26	965175	2	• Flange screw	
27	404069	1	• Pin	
28	860926	2	• Plug	
29	3582851	1	Sealing ring	
30	829487	1	Gasket	
31	965185	6	Flange screw	L=40mm
	965220	2	Flange screw	L=45mm
32	860419	1	Lifting bracket	
33	946329	2	Flange screw	
34	941908	8	Spring washer	