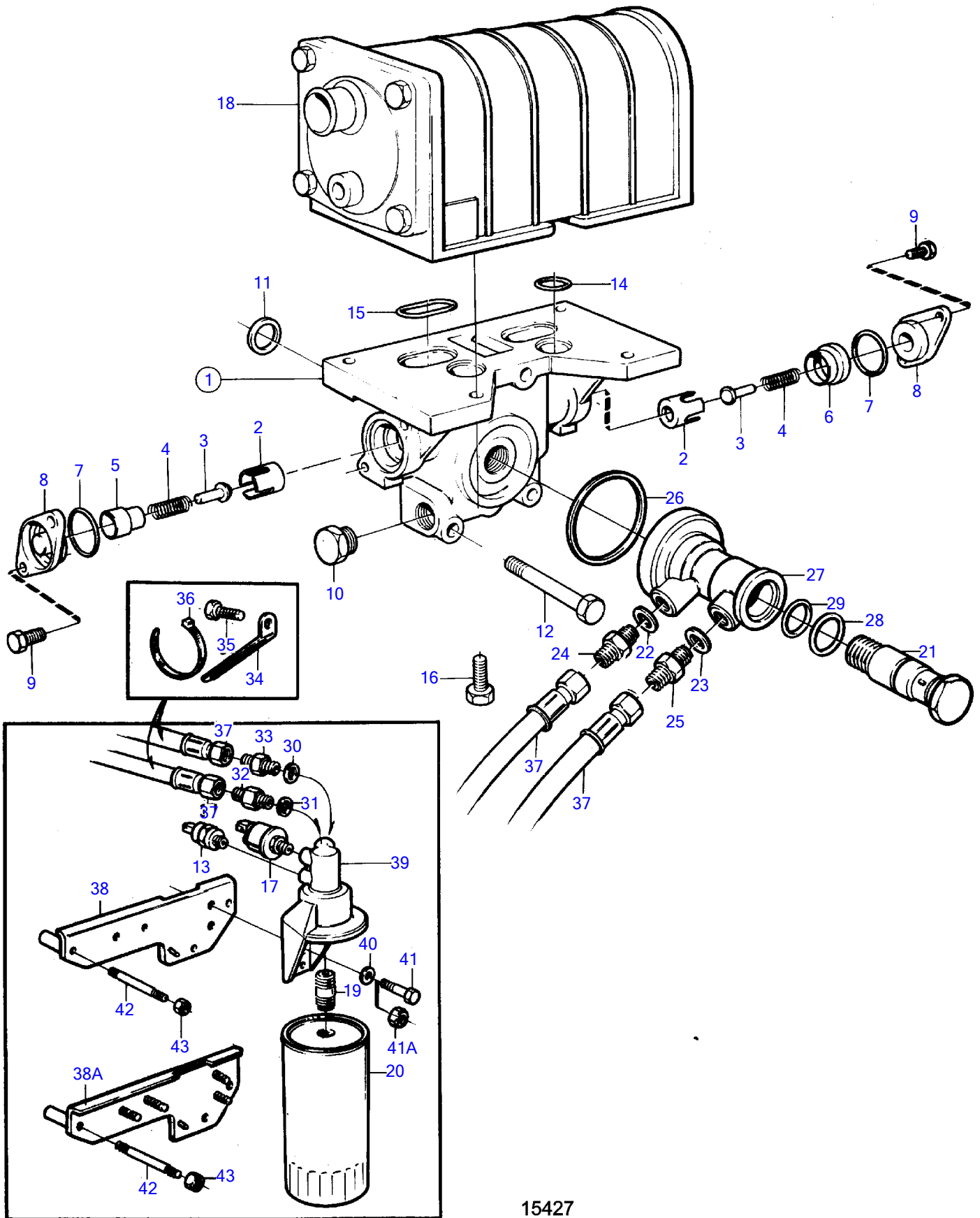


KAD42B, KAMD42B, TAMD42B



15427

KAD42B, KAMD42B, TAMD42B

REF	PART NO.	QTY	DESCRIPTION	SEE SEC.	NOTES
1	860608	1	Housing		
2	1542265	2	• Valve seat		
3	471085	2	• Valve cone		
4	468087	2	• Spring		
5	1542268	1	• Sleeve		
6	1542266	1	• Sleeve		
7	925065	2	• O-ring		
8	1542267	2	• Cover		
9	946544	4	• Flange screw		
10	479977	1	• Plug		(952077)
11	469483	4	Sealing ring		
12	965182	3	Flange screw		
13	863169	1	Pressure monitor		0,7 bar
14	469483	2	Sealing ring		
15	859086	2	Sealing ring		
16	946671	4	Flange screw		
17	866835	1	Sensor, oil-engine • Bulletin P-38-6-1	P-38-6-1-EN	0-10 bar Vibration Damping Kit
18		1	Oil cooler		
19	423067	1	Nipple		
20	4785974	1	Oil filter		
21	860482	1	Screw		
22	947627	1	Gasket		
23	947627	1	Gasket		
24	947554	1	Nipple		
25	860794	1	Nipple		
26	967343	1	O-ring		
27	860483	1	Adapter		
28	949659	1	O-ring		
29	949721	1	O-ring		
30	947627	1	Gasket		
31	947627	1	Gasket		
32	860794	1	Nipple		
33	947554	1	Nipple		
34	965576	1	Bracket		
35	946440	1	Flange screw		
36	948211	X	Cable tie		
37	860527	2	Oil hose		
38	(860529)	1	Bracket		Early type, Obsolete part
38A	861550	1	Bracket		Late type
39	860530	1	Filter housing		Obsolete part
40	941907	2	Spring washer		
41	968886	2	Flange screw		For 860529
41A	945408	2	Flange nut		For 861550
42		2	Stud		See group 25
43		2	Nut		See group 25