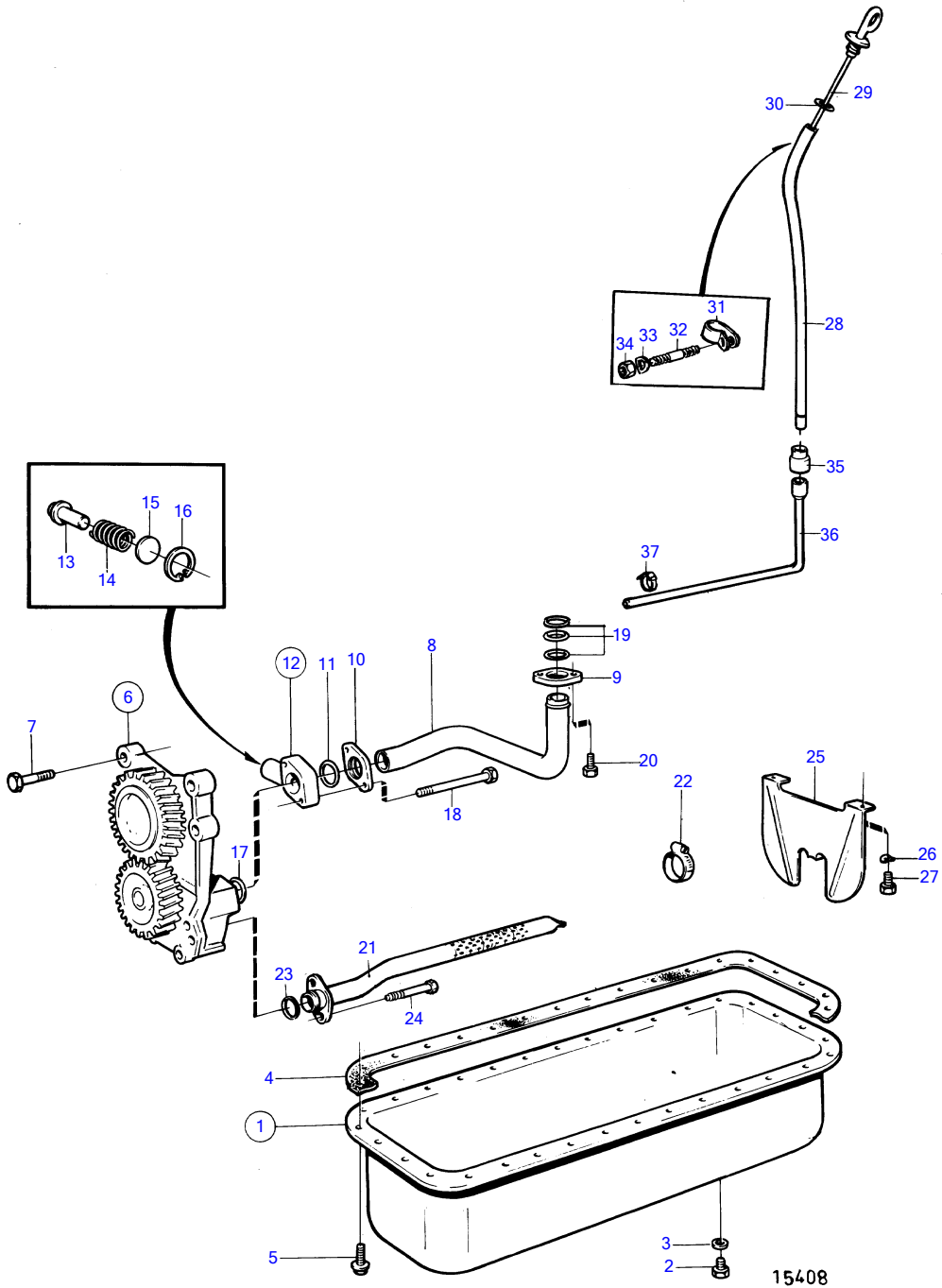


KAD42B, KAMD42B



KAD42B, KAMD42B

REF	PART NO.	QTY	DESCRIPTION	SEE SEC.	NOTES
1	861151	1	Sump		
2	948187	1	• Plug		
3	18818	1	• Gasket		
4	861251	1	Gasket		
5	946440	32	Flange screw		
6	860721	1	Oil pump		
			•	528	
7	948217	4	Flange screw		
8	860821	1	Delivery pipe		
9	1542248	1	Flange		
10	1545272	1	Flange		
11	1545271	1	Sealing ring		
12	860790	1	Reduction valve		
			• Bulletin 44-32	44-32-EN	Reduction Valve D31, 41, 42
			• Bulletin 44-32A	44-32A-EN	Reduction Valve D31, 41, 42
13	471115	1	• Reduction valve		
14	1542257	1	• Spring		
15	948343	1	• Disc		
16	914506	1	• Snap ring		
17	469482	1	Sealing ring		
18	965184	2	Flange screw		
19	1542385	3	Sealing ring		
20	946173	2	Flange screw		
21	861064	1	Suction pipe		
22	943473	1	Hose clamp		
23	469483	2	Sealing ring		
24	965217	2	Flange screw		
25	860999	1	Baffle plate		
26	942385	2	Disc spring		
27	944926	2	Flange screw		
28	861100	1	Tube		
29	861087	1	Dipstick		
30	960155	1	• O-ring		
31	946834	1	Clamp		
32		1	Stud		See group 25
33		1	Spring washer		See group 25
34		1	Nut		See group 25
35	843533	1	Rubber cushion		
36	861083	1	Suction pipe		
37	943469	1	Hose clamp		