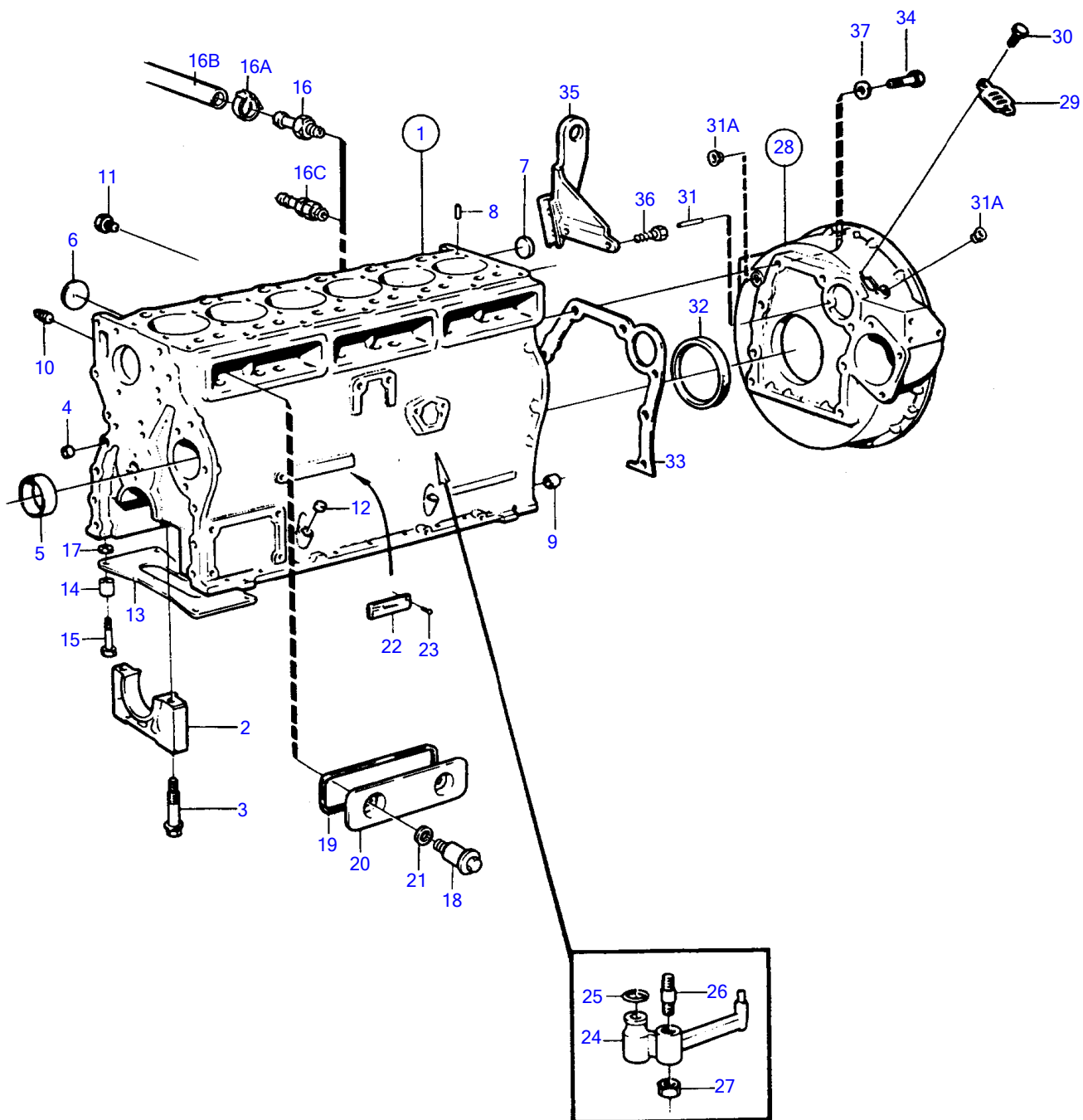


TAMD42B



## TAMD42B

REF	PART NO.	QTY	DESCRIPTION	NOTES
1	861016	1	Cylinder block	
2		7	• Main bearing cap	
3	861005	14	• Screw	
4	955083	4	• Cap plug	
5	1542067	7	• Camshaft bushing	
6	463905	5	• Expansion plug	
7	1542263	1	• Expansion plug	
8	946402	2	• Grooved pin	
9	415311	3	• Guide sleeve	
10	952077	2	Plug	
11	191026	5	Plug	
12	955082	1	Cap plug	
13	1545159	1	Foot plate	
14	1545160	4	Spacer sleeve	
15	965187	4	Flange screw	
16C	947893	1	Shut-off cock	
17	1545204	4	Spacer sleeve	
18	859447	6	Shoulder screw	
19	1542052	3	Sealing	
20	1542050	3	Inspection lid	
21	469846	6	Sealing ring	
22		1	Sign	
23	950885	2	Drive screw	
24	1542320	6	Oil jet	
25	955981	6	O-ring	
26	1542380	6	Stud	
27	946035	6	Lock nut	
28	860690	1	Flywheel housing	
29	407092	1	• Cover	
30	965175	2	• Flange screw	
31	404069	1	• Pin	
31A	860926	2	• Plug	
32		1	Sealing ring	
33	829487	1	Gasket	
34	965185	6	Flange screw	L=40mm
	965220	2	Flange screw	L=45mm
37	941908	8	Spring washer	