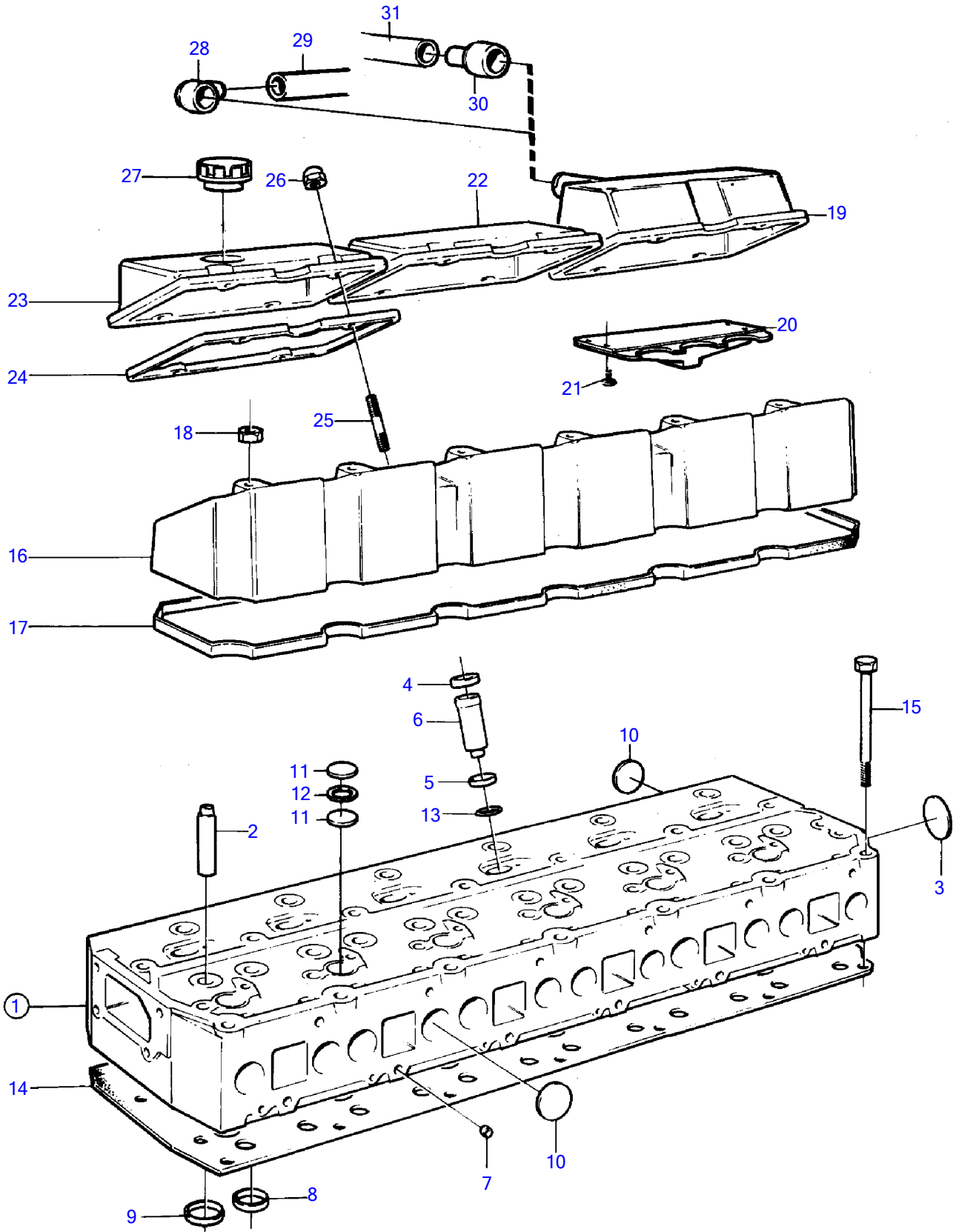


KAMD42B



KAMD42B

REF	PART NO.	QTY	DESCRIPTION	SEE SEC.	NOTES
1	3803198	1	Cylinder head		(860596)
2	419653	12	• Valve guide		
3	968955	1	• Expansion plug		
4	838619	6	• Retainer		
5	838896	6	• Sealing ring		
6	861255	6	• Spray sleeve		
7	967853	12	• Cap plug		
8	858331	6	• Valve seat		Std
	858332	6	• Valve seat		Over size 0,20mm
9	860035	6	• Valve seat		Std
	860036	6	• Valve seat		Over size 0,20mm
10	477026	13	• Expansion plug		
11	967948	12	• Expansion plug		
12	949329	6	• Gasket		
13	838821	6	• O-ring		
14	858992	1	Gasket		
			• Bulletin 44-29A	44-29A-EN	Cylinder Head Gasket
15	838775	27	Flange screw		
16	838649	1	Valve cover		
17	838653	1	Gasket		
18	968862	4	Nut		
19	860541	1	Valve cover		Replaced by 860542, 860601 & 977771
	860542	1	• Valve cover		
20	860601	1	• Insert		
21	977771	4	• Flange screw		
22	838650	1	Valve cover		
23	838651	1	Valve cover		
24	838654	3	Gasket		
25	953034	12	Stud		
26	968458	12	Flange cap nut		
27	3547599	1	Oil filler cap		
30	861114	X	Protecting sleeve		
31	946234	X	Tube		L=280mm