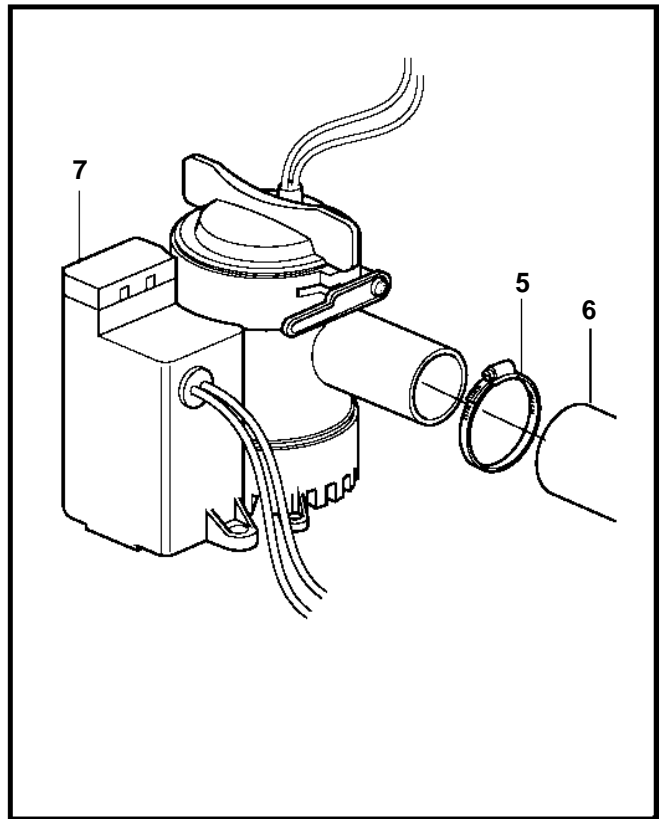
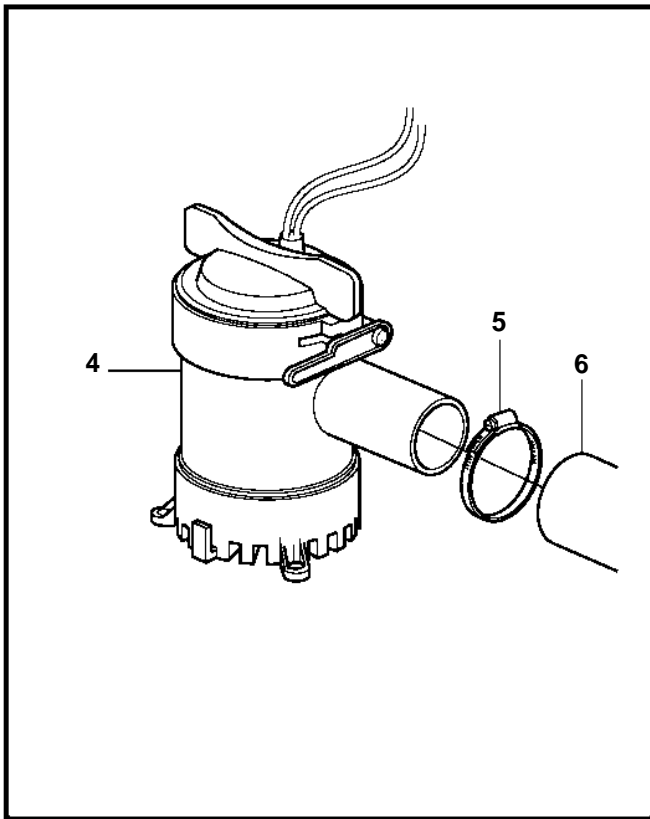
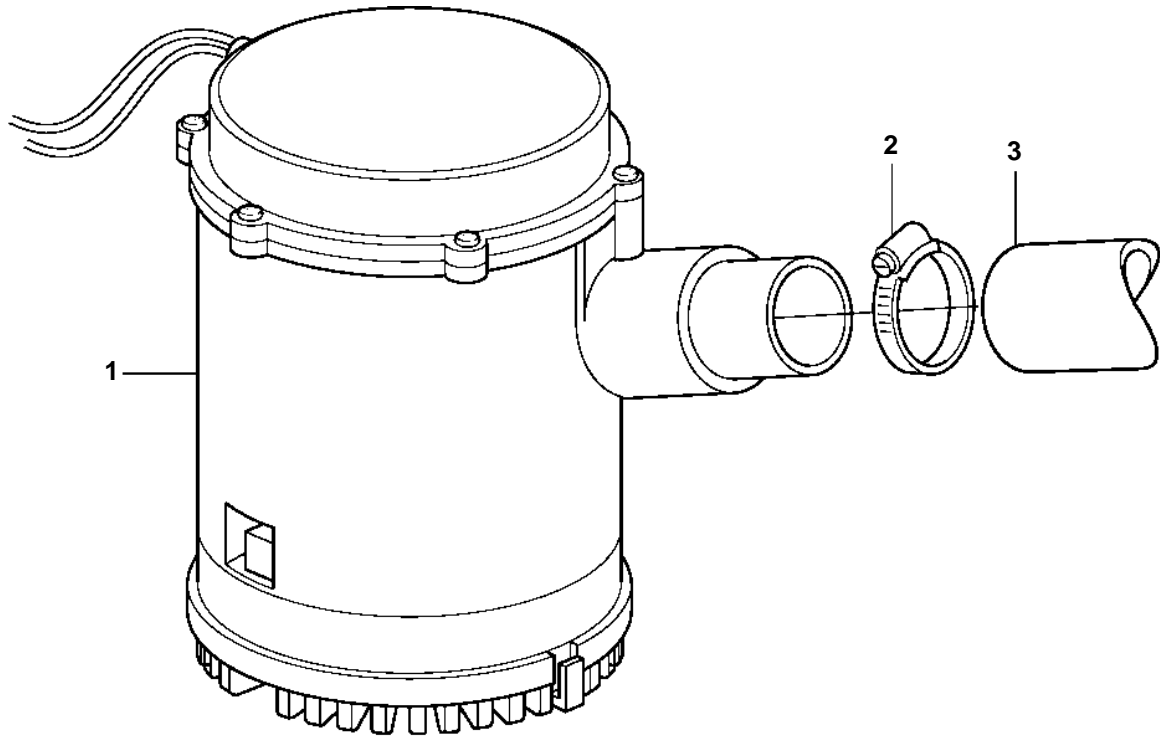


KAD32P-A, TAMD42WJ-A, KAMD43P-A, KAD43P-A, KAMD44P-A, KAD44P-A, KAMD44P-B, KAD44P-B, KAMD44P-C, KAD44P-C, KAMD300-A, KAD300-A



KAD32P-A, TAM42WJ-A, KAMD43P-A, KAD43P-A, KAMD44P-A, KAD44P-A, KAMD44P-B, KAD44P-B, KAMD44P-C, KAD44P-C, KAMD300-A, KAD300-A

REF	PART NO.	QTY	DESCRIPTION	NOTES
5	961666	1	Hose clamp	I.D=29mm
6	192358	1	Rubber hose	I.D=19mm
7	41103004	1	Bilge pump	45L / min 12V
	41103005	1	Bilge pump	55L / min 12V
	41103006	1	Bilge pump	65L / min 12V
	41103007	1	Bilge pump	75L / min 12V