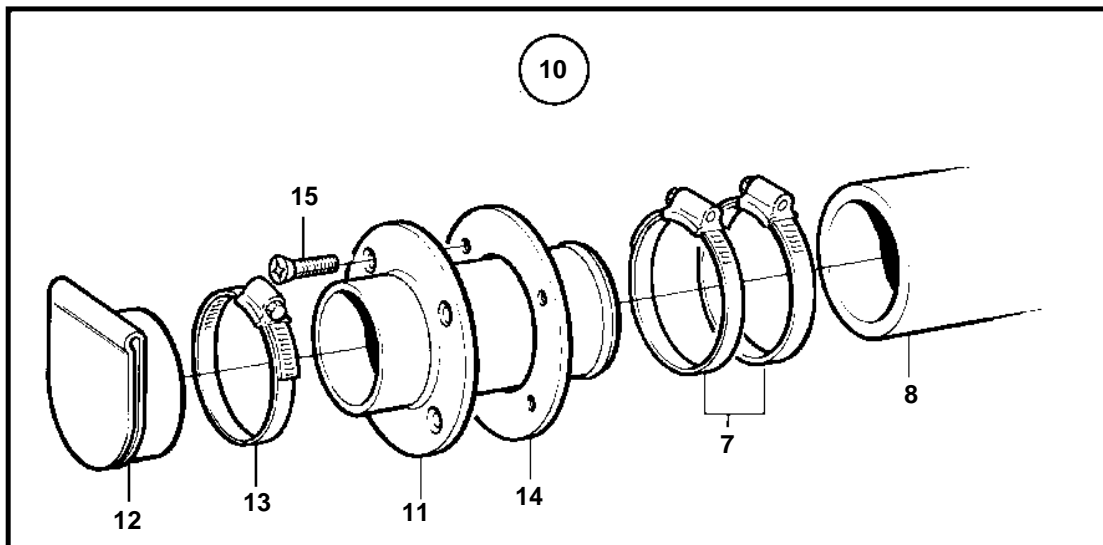
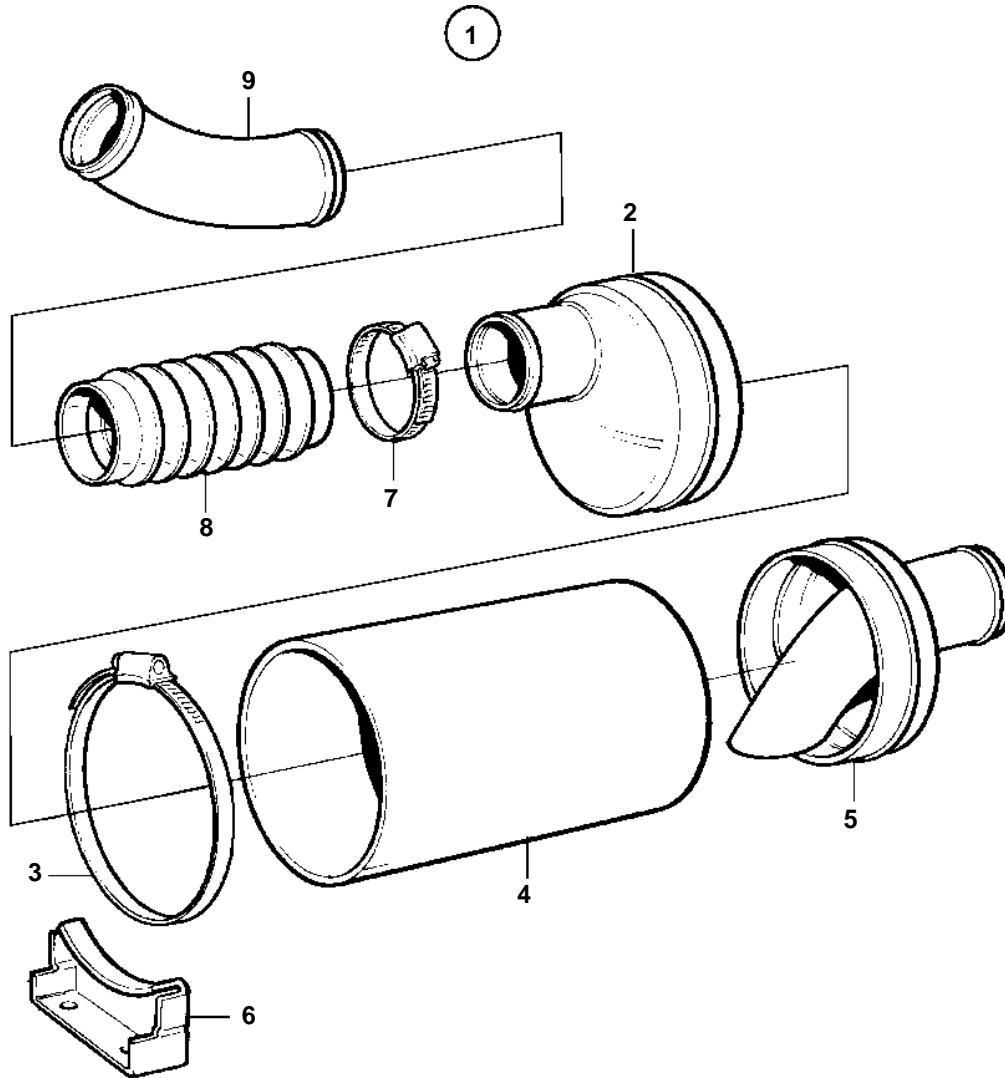


KAMD43P-A, KAMD44P-A, KAMD44P-B, KAMD44P-C, KAMD300-A



KAMD43P-A, KAMD44P-A, KAMD44P-B, KAMD44P-C, KAMD300-A

| REF | PART NO. | QTY | DESCRIPTION | NOTES |
|-----|----------|-----|--------------|----------|
| 1 | 854760 | 1 | Muffler | |
| 2 | | 1 | · End plate | |
| 3 | 949000 | 4 | · Clamp | |
| 4 | 842766 | 1 | · Hose | |
| 5 | | 1 | · End plate | |
| 6 | 842767 | 2 | · Bracket | |
| 7 | 853012 | X | Hose clamp | |
| 8 | 1140668 | X | Exhaust hose | (854763) |
| 9 | 872017 | 1 | Riser | 45° |
| | 872024 | 1 | Riser | 90° |
| 10 | 854754 | 1 | Hull fitting | |
| 11 | | 1 | · Grommet | |
| 12 | 854481 | 1 | · Flap | |
| 13 | 853012 | 1 | · Hose clamp | |
| 14 | 854490 | 1 | · Gasket | |
| 15 | 961348 | 4 | · Screw | |