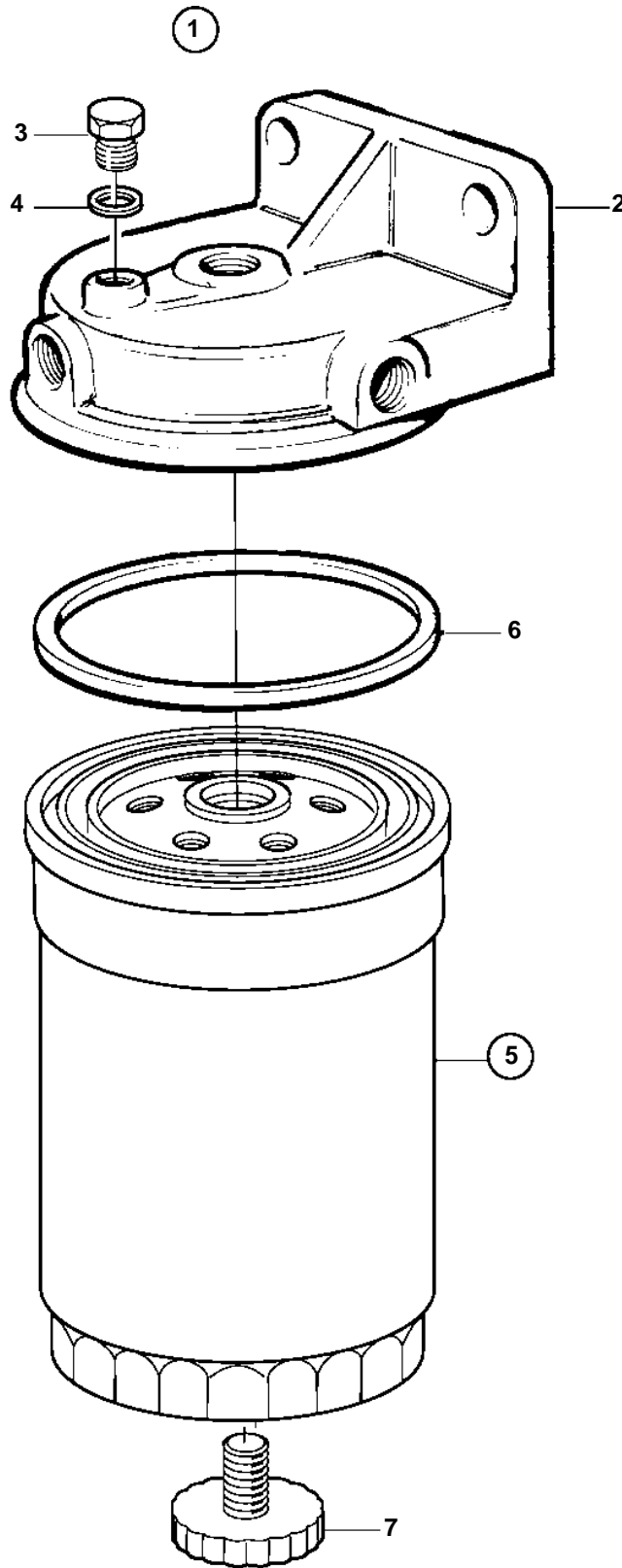


KAD32P-A, TAM42WJ-A, KAMD43P-A, KAD43P-A, KAMD44P-A, KAD44P-A, KAMD44P-B, KAD44P-B, KAMD44P-C, KAD44P-C, KAMD300-A, KAD300-A



KAD32P-A, TAMD42WJ-A, KAMD43P-A, KAD43P-A, KAMD44P-A, KAD44P-A, KAMD44P-B, KAD44P-B, KAMD44P-C, KAD44P-C, KAMD300-A, KAD300-A

| REF | PART NO. | QTY | DESCRIPTION | SEE SEC. | NOTES |
|-----|----------|-----|-----------------|----------|-----------------|
| 1 | 3581542 | 1 | Fuel filter | | REPL BY 3588380 |
| | 3588380 | 1 | Fuel filter | 7765 | |
| 2 | | 1 | · Cover | | |
| 3 | 843956 | 1 | · Plug | | |
| 4 | 25534 | 1 | · Gasket | | |
| 5 | 3588378 | 1 | · Filter insert | | REPL BY 3840335 |
| | 3840335 | 1 | · Fuel filter | | |
| 6 | 6638088 | 1 | · · Gasket | | |
| 7 | 838594 | 1 | · · · Plug | | |