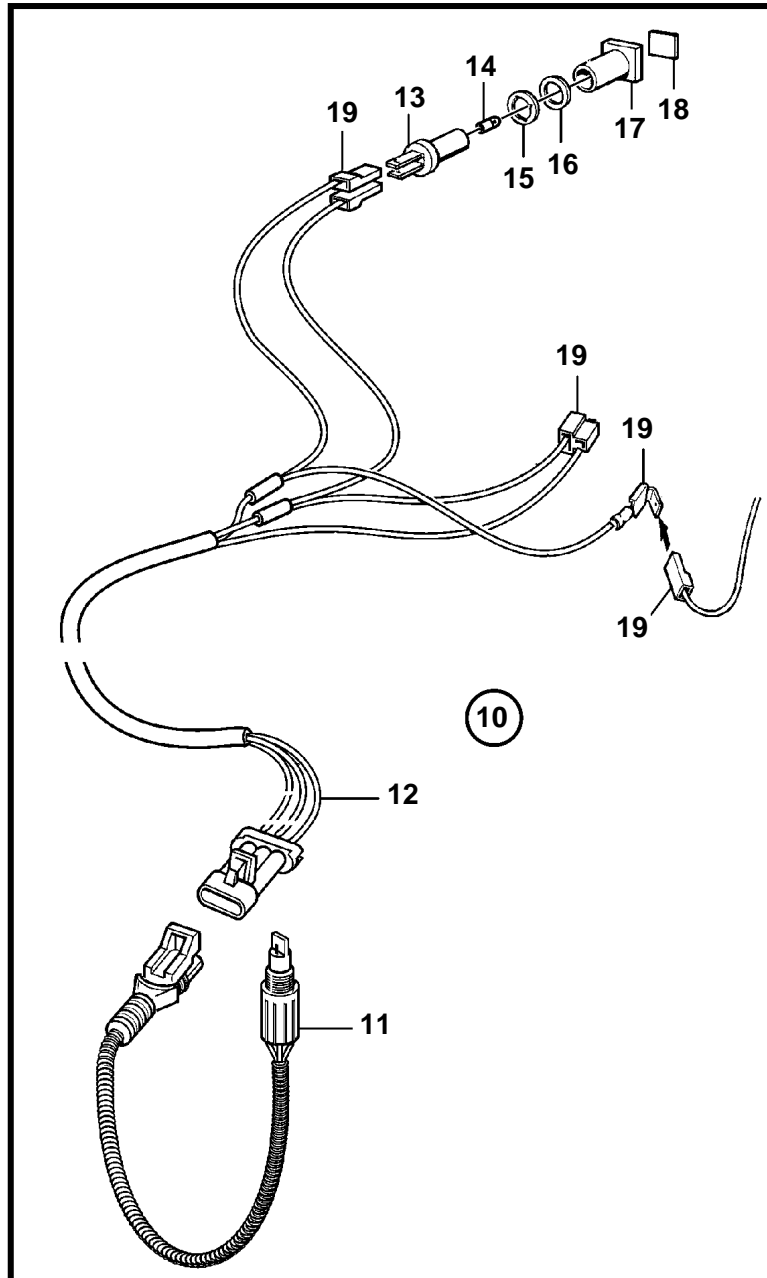
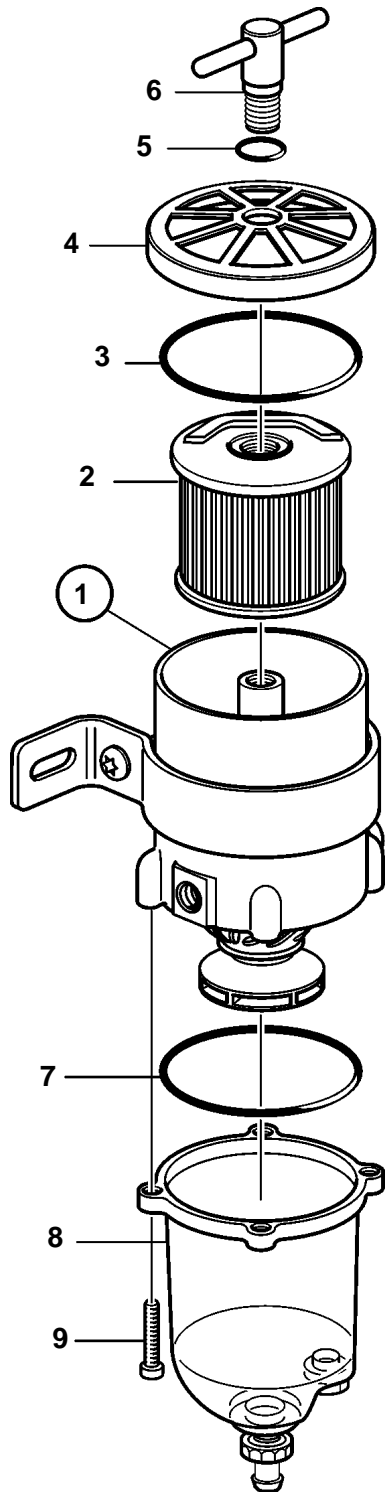


KAD32P-A, TAMD42WJ-A, KAMD43P-A, KAD43P-A, KAMD44P-A, KAD44P-A, KAMD44P-B, KAD44P-B, KAMD44P-C, KAD44P-C, KAMD300-A, KAD300-A



KAD32P-A, TAMD42WJ-A, KAMD43P-A, KAD43P-A, KAMD44P-A, KAD44P-A, KAMD44P-B, KAD44P-B, KAMD44P-C, KAD44P-C, KAMD300-A, KAD300-A

REF	PART NO.	QTY	DESCRIPTION	SEE SEC.	NOTES
1	877762	1	Fuel filter		
2	861014	1	· Insert		
3	838504	1	· Gasket		
4		1	· Strainer		
5	838506	1	· Bowl		
6		1	· Knob		
7	3838861	1	· Gasket		
8	3838848	1	· Bowl		
9	950024	4	· Screw		
10	1140624	1	Level sensor		
11	3588916	1	· Sender		
12	881774	1	· Wiring harness		
13	808175	1	· Bulb socket		
14	19923	1	· Bulb		12V, 2W
	182059	1	· Bulb		24V, 3W
15	967583	1	· Retainer		
16	829714	1	· Seal		
17	838455	1	· Retainer		
18	872591	1	· Symbol strip		
19		X	· Cables and terminals	1963	