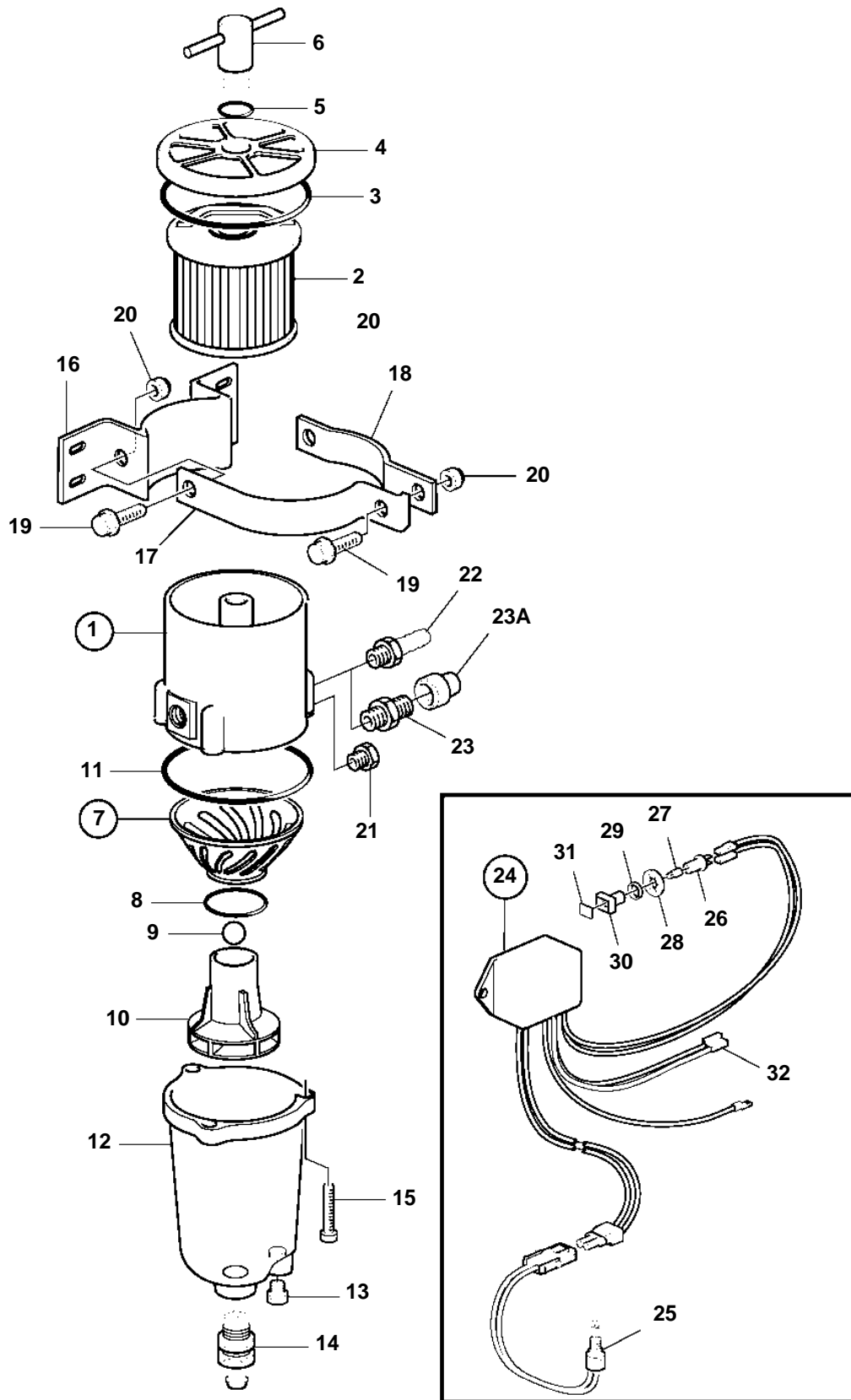


KAD32P-A, TAMD42WJ-A, KAMD43P-A, KAD43P-A, KAMD44P-A, KAD44P-A, KAMD44P-B, KAD44P-B, KAMD44P-C, KAD44P-C, KAMD300-A, KAD300-A



KAD32P-A, TAMD42WJ-A, KAMD43P-A, KAD43P-A, KAMD44P-A, KAD44P-A, KAMD44P-B, KAD44P-B, KAMD44P-C, KAD44P-C, KAMD300-A, KAD300-A

| REF | PART NO. | QTY | DESCRIPTION | SEE SEC. | NOTES |
|-----|----------|-----|------------------------|-----------|---------------------------------|
| 1 | 3582350 | 1 | Fuel filter | | |
| | | | Bulletin 50-11A | 50-11A-EN | Fuel Filters / Water Separators |
| 2 | 861014 | 1 | • Insert | | |
| 3 | 838504 | 1 | • Gasket | | |
| 4 | | 1 | • Cover | | |
| 5 | 838505 | 1 | • O-ring | | |
| 6 | | 1 | • Knob | | |
| 7 | 861455 | 1 | • Strainer | | |
| 8 | | 1 | • • O-ring | | |
| 9 | | 1 | • • Ball | | |
| 10 | | 1 | • • Insert | | |
| 11 | 838502 | 1 | • • O-ring | | |
| 12 | 861453 | 1 | • Bowl | | |
| 13 | | 1 | • Plug | | |
| 14 | 861456 | 1 | • Tap | | |
| 15 | 950024 | 4 | • Screw | | |
| 16 | | 1 | • Bracket | | |
| 17 | | 1 | • Clamp | | |
| 18 | | 1 | • Clamp | | |
| 19 | | 3 | • Screw | | |
| 20 | | 3 | • Nut | | |
| 21 | | 1 | • Plug | | |
| 22 | 834781 | X | Nipple | | |
| 23 | 954337 | X | Nipple | | |
| 23A | 954323 | X | Cap nut | | |
| 24 | 1140609 | 1 | Alarm kit | | |
| 25 | 1140624 | 1 | • Level sensor | | |
| 26 | 808175 | 1 | • Bulb socket | | |
| 27 | 19923 | 1 | • Bulb | | 12V, 2W |
| | 182059 | 1 | • Bulb | | 24V, 3W |
| 28 | 967583 | 1 | • Retainer | | |
| 29 | 829714 | 1 | • Seal | | |
| 30 | 838455 | 1 | • Retainer | | |
| 31 | 872591 | 1 | • Symbol strip | | |
| 32 | | X | • Cables and terminals | 1963 | |