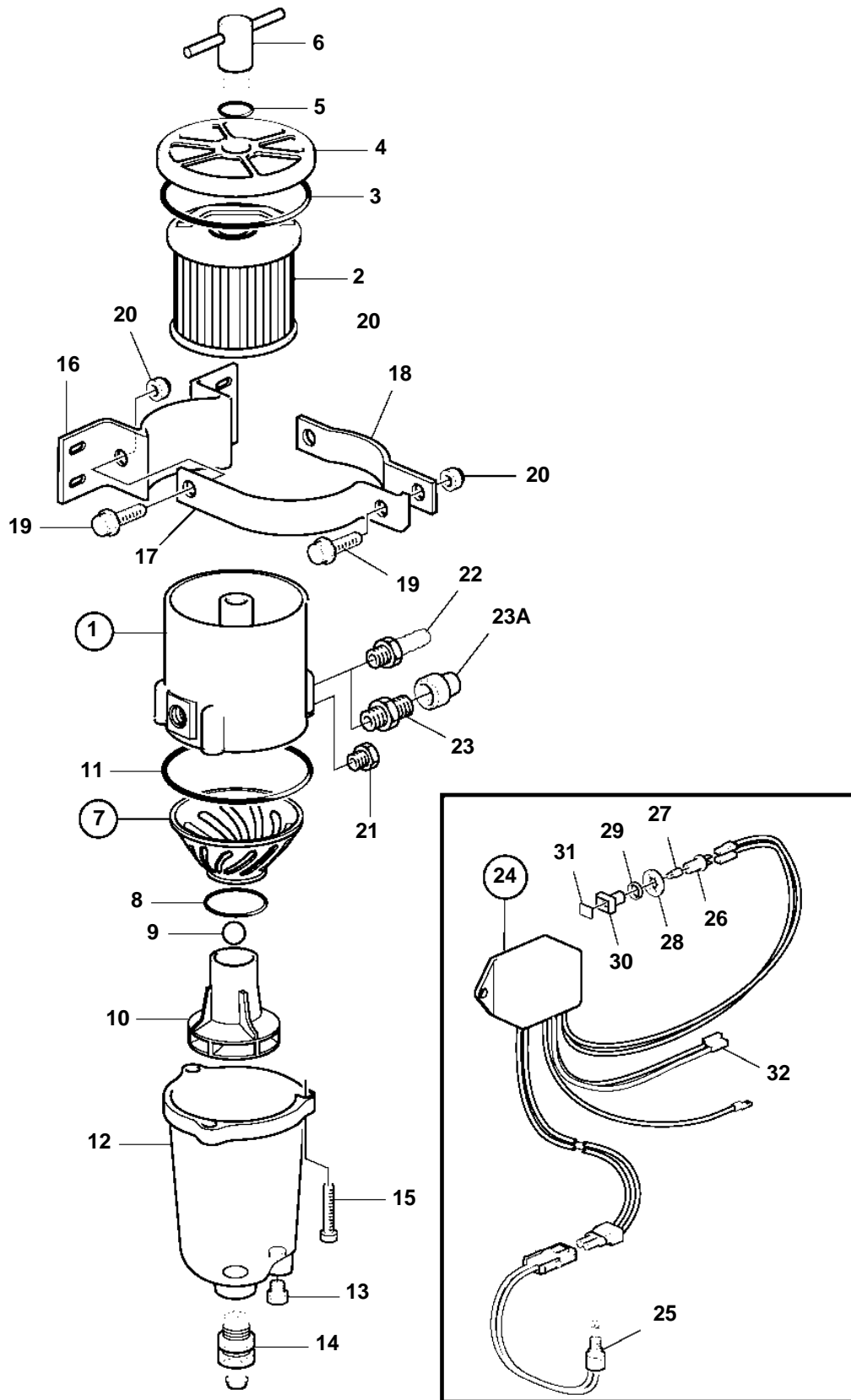


KAD32P-A, TAMD42WJ-A, KAMD43P-A, KAD43P-A, KAMD44P-A, KAD44P-A, KAMD44P-B, KAD44P-B, KAMD44P-C, KAD44P-C, KAMD300-A, KAD300-A



KAD32P-A, TAMD42WJ-A, KAMD43P-A, KAD43P-A, KAMD44P-A, KAD44P-A, KAMD44P-B, KAD44P-B, KAMD44P-C, KAD44P-C, KAMD300-A, KAD300-A

REF	PART NO.	QTY	DESCRIPTION	SEE SEC.	NOTES
1	877762	1	Fuel filter		(861143)
2	861014	1	· Insert		
3	838504	1	· Gasket		
4		1	· Cover		
5	838505	1	· O-ring		
6		1	· Knob		
7	861455	1	· Strainer		
8		1	· · O-ring		
9		1	· · Ball		
10		1	· · Insert		
11	838502	1	· · O-ring		
12	3838848	1	· Bowl		
13		1	· Plug		
14	861456	1	· Tap		
15	950024	4	· Screw		
16		1	· Bracket		
17		1	· Clamp		
18		1	· Clamp		
19		3	· Screw		
20		3	· Nut		
21		1	· Plug		
22	3825000	X	Nipple		(834781)
23	954337	X	Nipple		
23A	954323	X	Cap nut		
24	1140724	1	Level guard		
25	1140624	1	· Level sensor		
26	808175	1	· Bulb socket		
27	19923	1	· Bulb		12V, 2W
	182059	1	· Bulb		24V, 3W
28	967583	1	· Retainer		
29	829714	1	· Seal		
30	838455	1	· Retainer		
31	872591	1	· Symbol strip		
32		X	· Cables and terminals	1963	