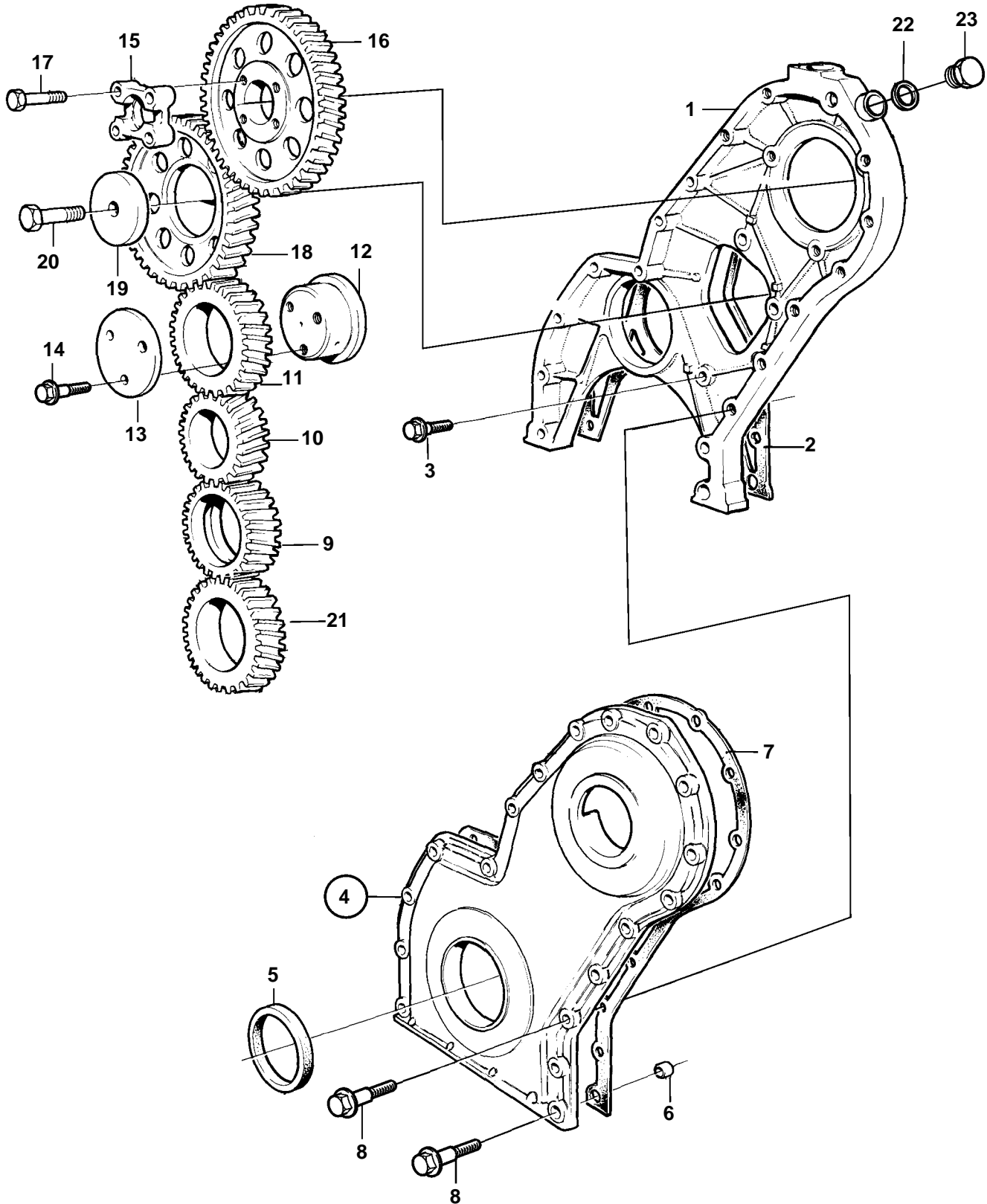


KAMD300-A, KAD300-A



KAMD300-A, KAD300-A

REF	PART NO.	QTY	DESCRIPTION	SEE SEC.	NOTES
1	3581447	1	Timing gear casing		(838655)
2	859039	1	Gasket		
3	946173	3	Flange screw		L=20mm
	946671	1	Flange screw		L=30mm
4	843086	1	Cover		
5	1542318	1	· Sealing ring		
6	415311	1	· Sleeve		
7	859038	1	Gasket		
8	946470	4	Flange screw		L=35mm
	947760	3	Flange screw		L=40mm
	948217	1	Flange screw		L=45mm
	965181	6	Screw		L=70mm
9		1	Gearoil pump	528	
10	1542305	1	Gear, crankshaft		
11	1542061	1	Gear		
12	838997	1	Pin		
13	1542065	1	Thrust washer		
14	965180	3	Flange screw		
15	829523	1	Companion flange		
16	3581531	1	Gear, fuel inj. pump		(838657)
17	955298	4	Screw		
18	1542034	1	Gear, camshaft		
19	1542223	1	Washer		
20	965193	1	Screw		
21		1	Gearoil pump	528	
22	976931	1	Gasket		
23	960632	1	Plug		