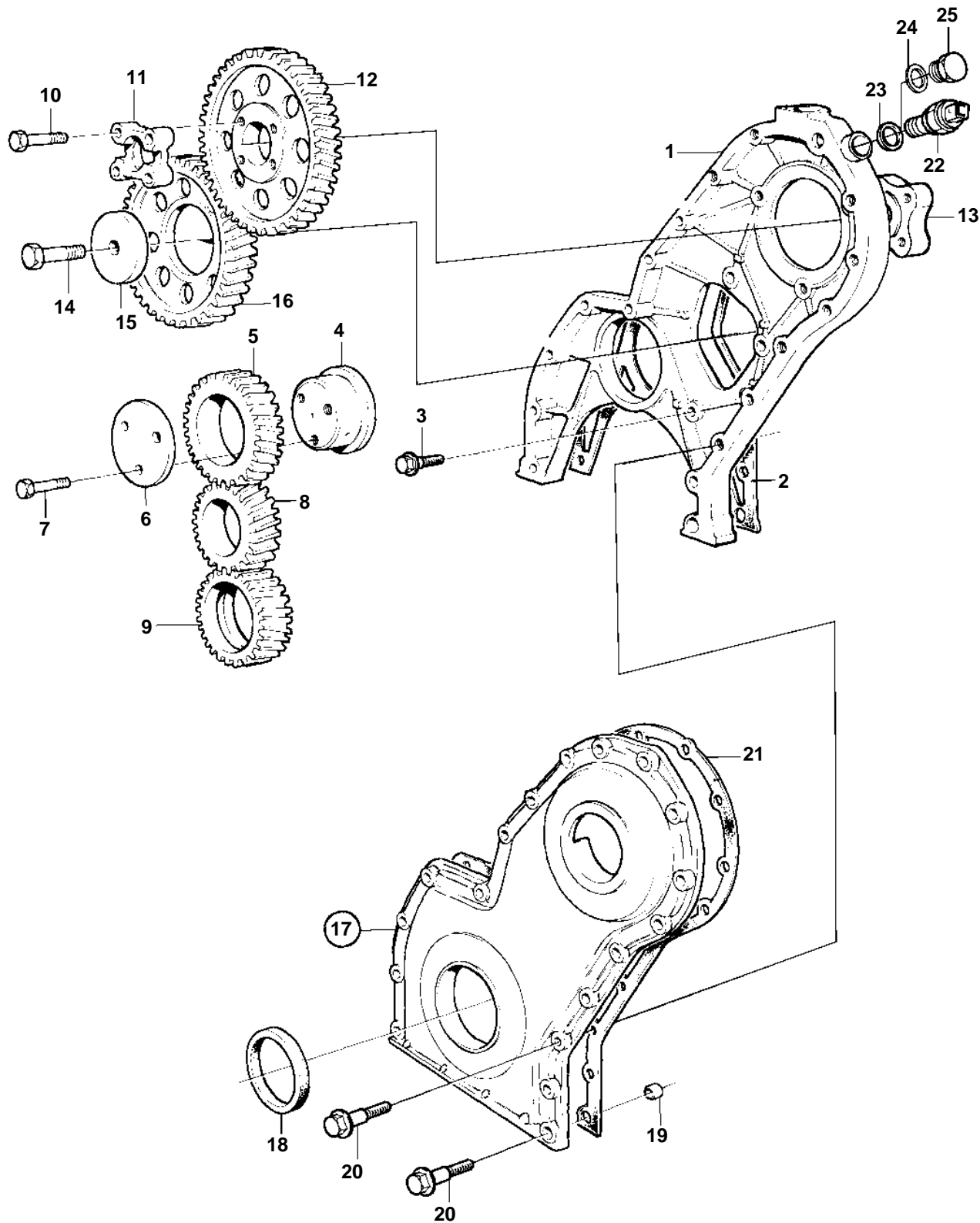


KAD32P-A



KAD32P-A

REF	PART NO.	QTY	DESCRIPTION	SEE SEC.	NOTES
1	3581447	1	Timing gear casing		
2	859039	1	Gasket		
3	946173	3	Flange screw		L=20mm
	946671	1	Flange screw		L=30mm
4	838997	1	Pin		
5	1542061	1	Gear		
6	1542065	1	Thrust washer		
7	965180	3	Flange screw		
8	1542305	1	Gear		
9	1542215	1	Gear		
10	955298	4	Screw		
11	829523	1	Companion flange		
12	3581531	1	Gear		(838657)
13	859601	1	Hub	3058	
14	965193	1	Screw		
15	1542223	1	Washer		
16	1542034	1	Gear		
17	843086	1	Cover		
18	1542318	1	· Sealing ring		
19	415311	2	· Sleeve		
20	946470	5	Flange screw		L=35mm
	947760	2	Flange screw		L=40mm
	948217	2	Flange screw		L=45mm
	965181	6	Screw		L=70mm
	969189	1	Flange screw		L=85mm
	965183	1	Flange screw		L=90mm
21	859038	1	Gasket		
22	862251	1	Tachometer sensor		For revolution relay.
23	957181	1	Gasket		
24	976931	1	Gasket		ALT
25	960632	1	Plug		ALT