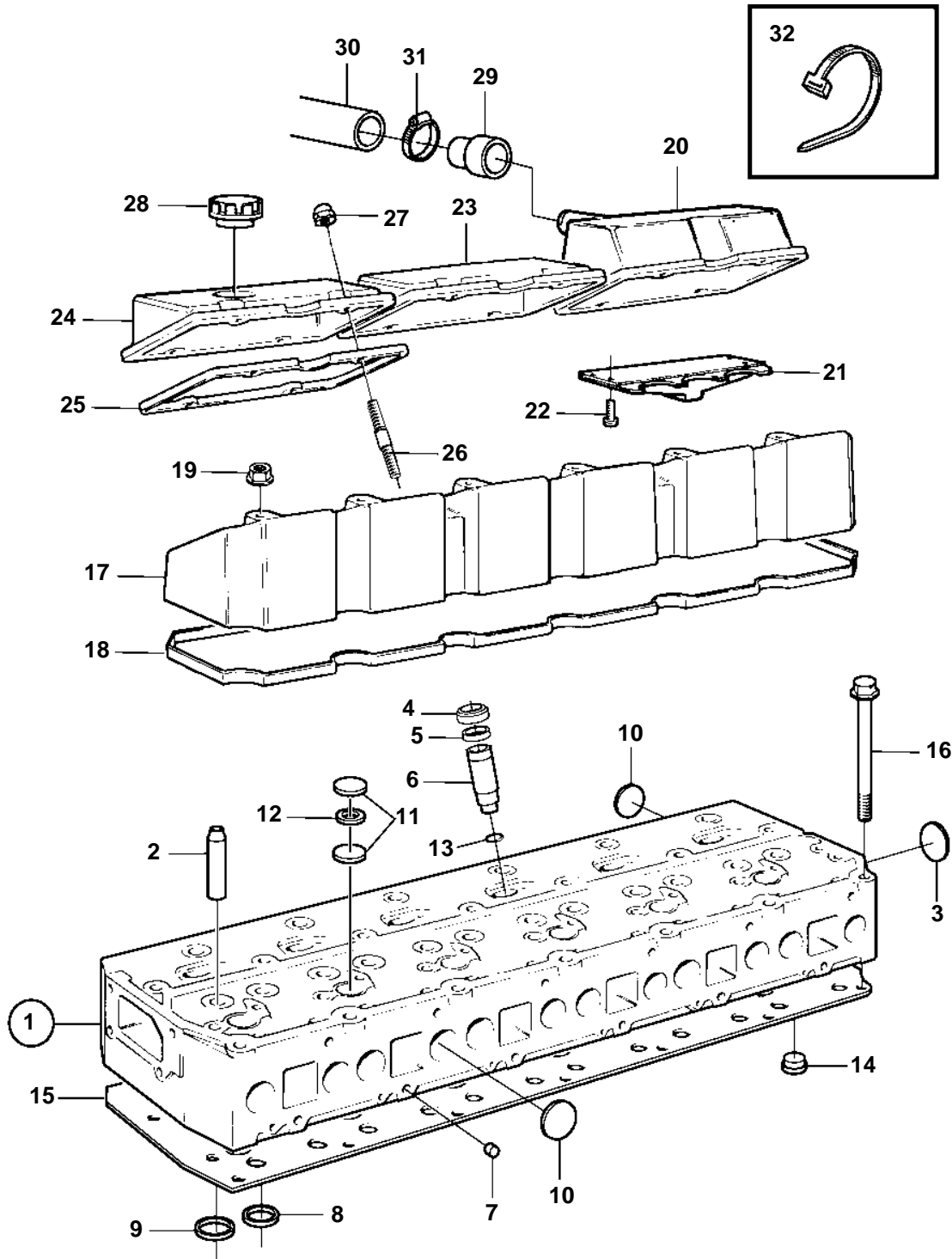


KAMD43P-A, KAD43P-A



KAMD43P-A, KAD43P-A

REF	PART NO.	QTY	DESCRIPTION	NOTES
1	861300	1	Cylinder head	SN-2204303627 REPL BY 3581554
	3581554	1	Cylinder head	SN2204303628-2243010235 REPL BY 3583900
	3583900	1	Cylinder head	SO SN2243010236-
	3803308	1	Cylinder head, exch	Exchange unit
2	3582561	12	· Valve guide	(419653)
3	968955	1	· Expansion plug	
4	838619	6	· Steel ring	
5	838896	6	· Sealing ring	
6	861255	6	· Spray sleeve	FOR 861300
	3582429	6	· Spray sleeve	FOR 3581554
	3581536	6	· Spray sleeve	FOR 3581554
7	967853	12	· Cap plug	
8	858331	6	· Valve seat, exhaust	STD
	858332	6	· Valve seat, exhaust	OVER SIZE 0,20mm
9	860035	6	· Valve seat, inlet	STD
	860036	6	· Valve seat, inlet	OVER SIZE 0,20mm
10	477026	13	· Expansion plug	
11	967948	12	· Expansion plug	
12	949329	6	· Gasket	
13	838821	6	· O-ring	
14	465420	6	· Nozzle	
15	3583786	1	Gasket	(3582433)
16	838775	27	Screw	
17	838649	1	Valve cover	
18	838653	1	Gasket	
19	945408	4	Flange nut	
20	860541	1	Valve cover	
21		1	· Insert	
22	977771	4	· Screw	
23	838650	1	Valve cover	
24	838651	1	Valve cover	
25	838654	3	Gasket	
26	1542380	12	Stud	(953034)
27	968458	12	Nut	
28	1275403	1	Oil filler cap	
29	861114	X	Rubber sleeve	
30	946234	X	Pipe	L=380mm
31	943472	1	Hose clamp	
32	948211	1	Strip clamp	