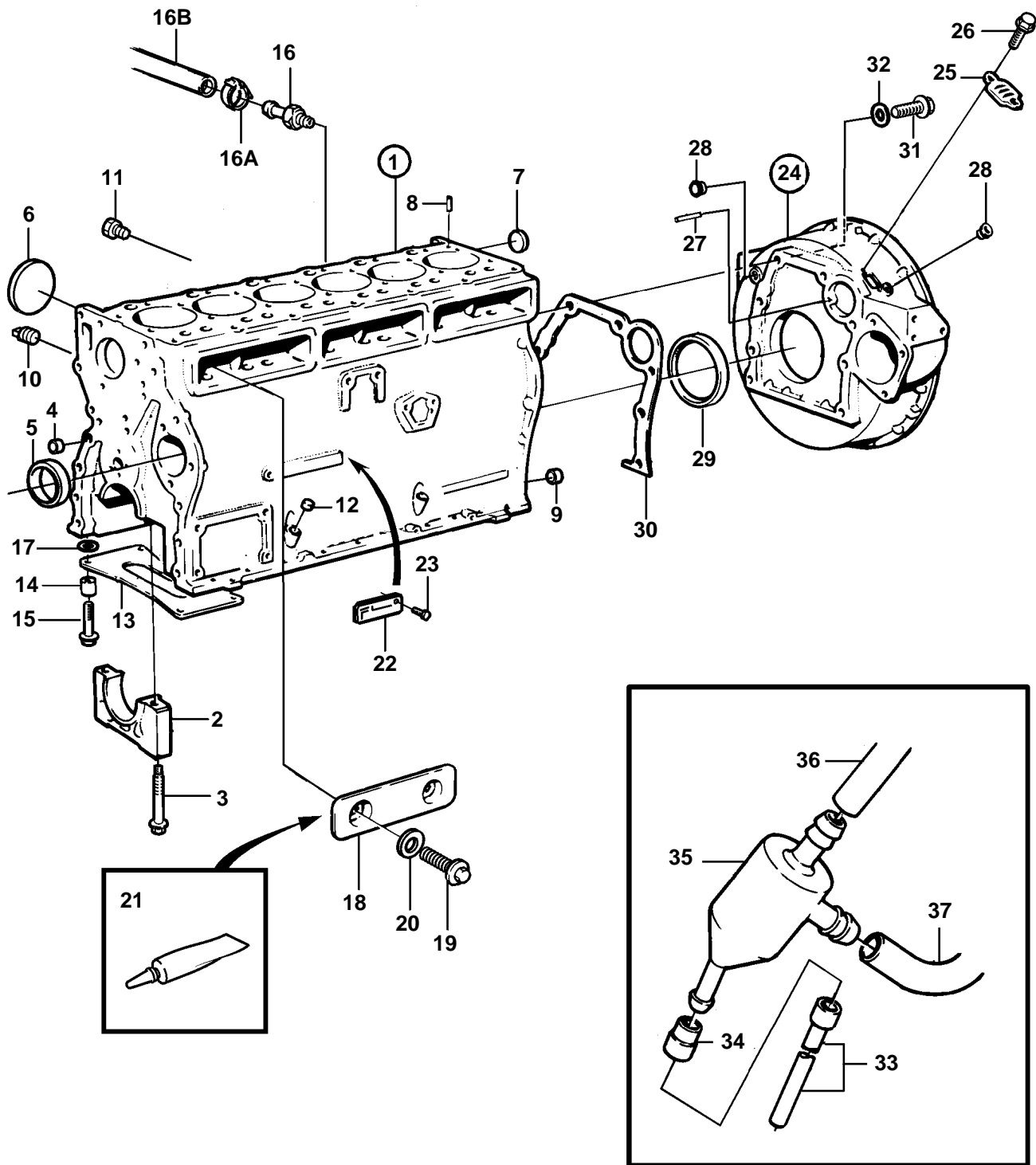


KAMD300-A, KAD300-A



KAMD300-A, KAD300-A

REF	PART NO.	QTY	DESCRIPTION	SEE SEC.	NOTES
1	3583103	1	Cylinder block		
2		7	· Main bearing cap		
3	861005	14	· Flange screw		
4	955083	4	· Cap plug		
5	1542067	7	· Bushing		
6	463905	5	· Expansion plug		
7	968955	1	· Expansion plug		
8	946402	2	· Pin		
9	415311	3	· Sleeve		
10	479977	2	Plug		
11	479979	5	Plug		
12	955082	1	Cap plug		
13	1545159	1	Foot plate		
14	1545160	4	Spacer sleeve		
15	965187	4	Screw		
16	860819	1	Nipple		
16A	943470	1	Hose clamp		
16B	952967	1	Rubber hose		L=900mm
17	3850090	4	Spacer		(1545204)
18	877262	3	Inspection lid		
19	965185	6	· Flange screw		
20	18666	6	· Gasket		
21	1161277	X	Sealant		10g
	1161231	X	Sealant		304ml
22		1	Sign		
23		2	Rivet		
24	3581825	1	Flywheel housing		
25	407092	1	Cover		
26	967949	2	Screw		
27	404069	1	Setting indicator		
28	860926	2	Plug		
29	3582851	1	Sealing ring kit		(860971)
30	829487	1	Gasket		
31	965185	6	Flange screw		L=40mm
	965220	2	Flange screw		L=45mm
32	941908	8	Spring washer		
33	829579	1	Tube		
34	843533	1	Rubber hose		
35	3581104	1	Oil trap		
36	3581202	1	Hose	3029	
37	949995	1	Hose		