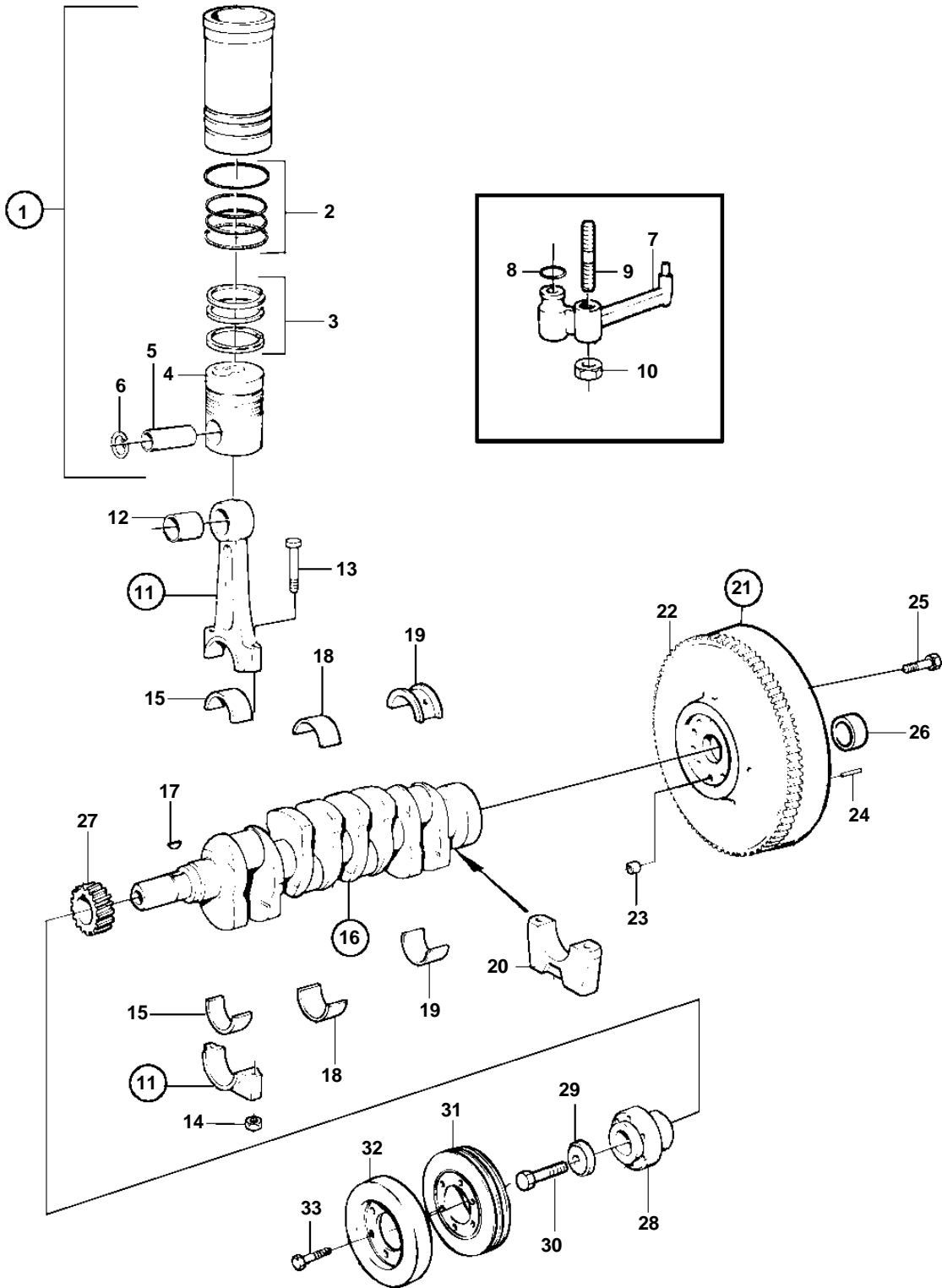


KAD32P-A



KAD32P-A

REF	PART NO.	QTY	DESCRIPTION	SEE SEC.	NOTES
1	3817034	4	Cylinder liner kit		
2	275751	4	· Sealing ring kit		
3	3817033	4	· Piston ring kit		
4		4	· Piston		
5	422793	4	· Piston pin		
6	914519	8	· Lock ring		
7	1542320	4	· Oil jet		
8	955981	4	· O-ring		
9	1542380	4	Stud		
10	946035	4	Lock nut		
11	3581063	4	Connecting rod		
12	3581021	4	· Bushing		
13	1542077	8	· Connecting rod bolt		
14	1542078	8	· Nut		
15	876511	4	Big end bearing kit		STD D
	876512	4	Big end bearing kit		U.S=0,25mm
	876513	4	Big end bearing kit		U.S=0.50mm
	876514	4	Big end bearing kit		U.S=0.75mm
16	3582849	1	Crankshaft		(860614)
17	910118	1	· Woodruff key		
18	876515	4	Main bearing kit		STD D
	876516	4	Main bearing kit		U.S=0,25mm
	876517	4	Main bearing kit		U.S=0,50mm
	876518	4	Main bearing kit		U.S=0,75mm
19	876519	1	Thrust bearing		STD D
	876520	1	Thrust bearing		O.S=0,10mm/U.S=0,25mm
	876521	1	Thrust bearing		O.S=0,20mm/U.S=0,50mm
	876522	1	Thrust bearing		O.S=0,20mm/U.S=0,75mm
20		5	Main bearing cap		
21	3582705	1	Flywheel		(861614)
22	829462	1	· Gear ring		
23	415311	1	· Sleeve		
24	191873	3	· Locating pin		
25	861671	1	Screw kit		The kit includes 8 pcs screw.. Shall not be used together with bolt plate 1542093.
26	872761	1	Bushing		
27		1	Gear	3097	
28	1542196	1	Hub		
29	420124	1	Washer		
30	470366	1	Screw		
31	861540	1	Pulley		
32	877409	1	Damper kit		(860944)
33	983745	6	Screw		