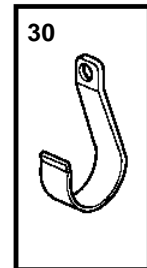
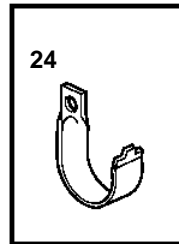
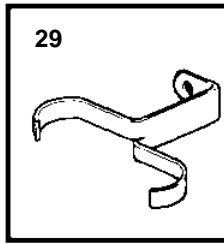
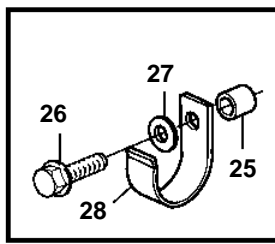
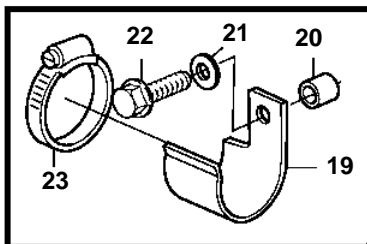
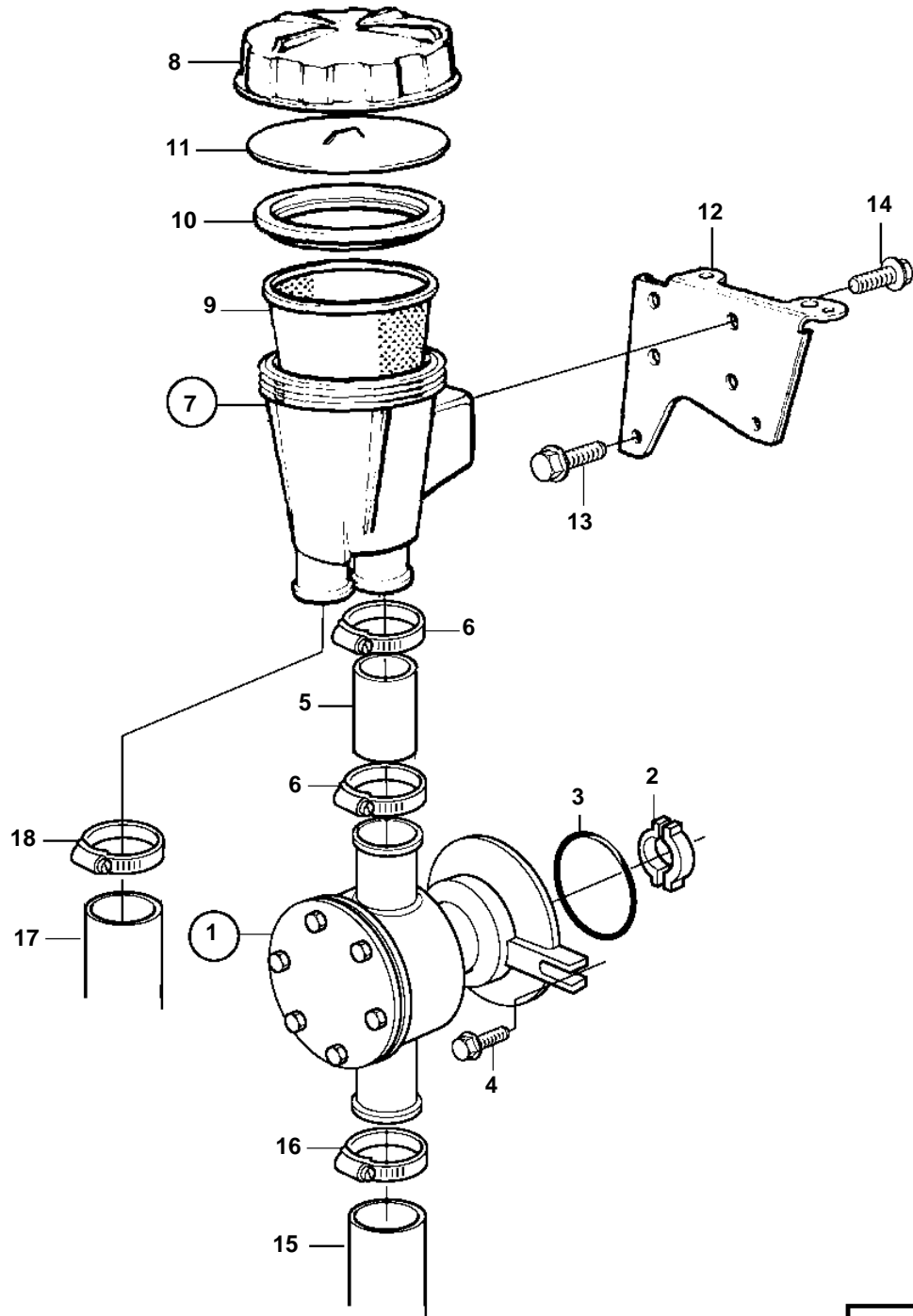


KAD300-A



18651

KAD300-A

REF	PART NO.	QTY	DESCRIPTION	SEE SEC.	NOTES
1	3583095	1	Sea water pump	3400	
2	858467	1	Companion flange		
3	968971	1	O-ring		
4	945444	2	Flange screw		
5	949315	1	Hose		L=60mm
6	943476	2	Hose clamp		
7	860631	1	Sea water filter		
8	842722	1	· Cover		
9	860687	1	· Strainer		
10	842724	1	· Seal		
11	842982	1	· Pressure plate		
12	3581530	1	Bracket		
13	946470	1	Flange screw		L=35mm
	948217	1	Flange screw		L=45mm
14	944926	4	Flange screw		
15	861738	1	Hose		Intake-sea water pump.
16	961669	2	Hose clamp		
17	861335	1	Hose		
18	943476	1	Hose clamp		
19	3580758	1	Bracket		
20	843075	1	Sleeve		
21	955894	1	Washer		
22	945444	1	Flange screw		
23	961669	1	Hose clamp		
24	834974	1	Clamp		
25	843075	1	Sleeve, inlet		L=16mm
	1660462	1	Spacer sleeve		
26	946671	1	Flange screw		L=30mm
	965180	1	Flange screw		L=60mm
27	955894	2	Washer		
28	857045	2	Clamp		
29	3580794	1	Bracket		
30	3580798	1	Clamp		