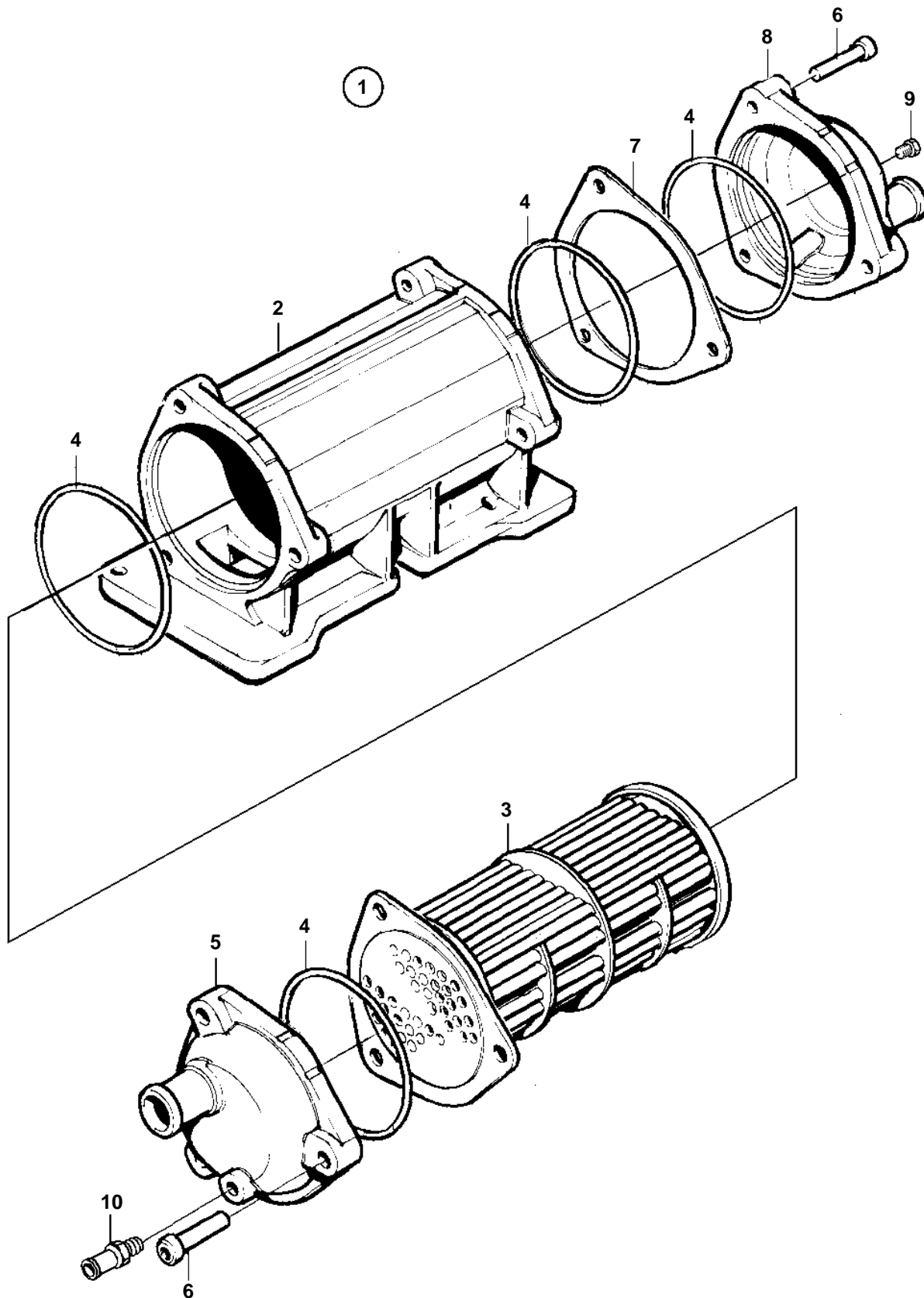


KAD32P-A, KAMD43P-A, KAD43P-A, KAMD44P-A, KAD44P-A, KAMD44P-B, KAD44P-B, KAMD44P-C, KAD44P-C,
KAMD300-A, KAD300-A



KAD32P-A, KAMD43P-A, KAD43P-A, KAMD44P-A, KAD44P-A, KAMD44P-B, KAD44P-B, KAMD44P-C, KAD44P-C, KAMD300-A, KAD300-A

REF	PART NO.	QTY	DESCRIPTION
1	861600	1	Oil cooler
2		1	· Housing
3	3580868	1	· Insert
4	3581070	4	· O-ring
5	3580867	1	· End plate
6	959224	6	· Screw
7	3580870	1	· Washer
8	3580866	1	· End plate
10	860819	1	Nipple