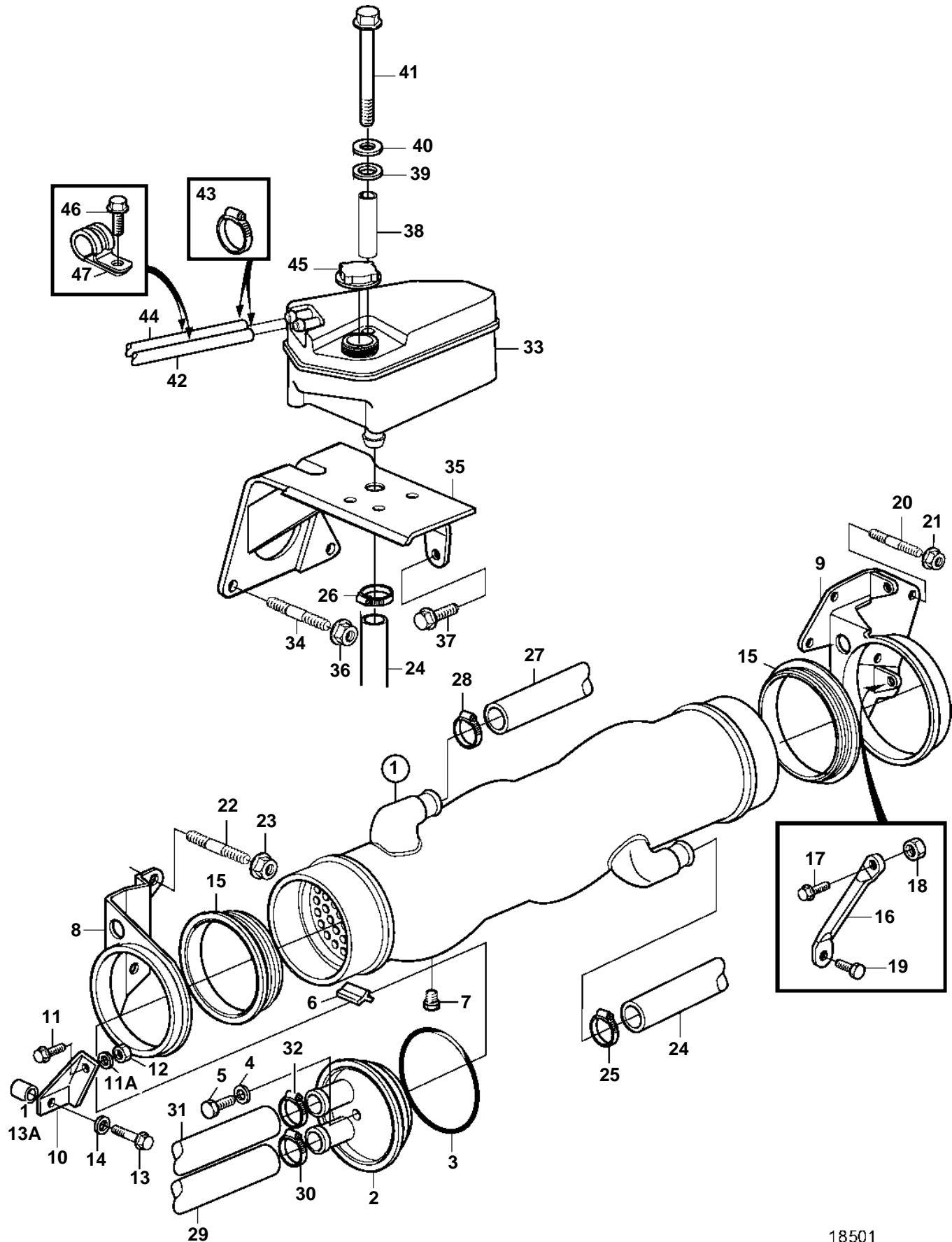


KAMD300-A, KAD300-A



KAMD300-A, KAD300-A

REF	PART NO.	QTY	DESCRIPTION	NOTES
1	3586706	1	Heat exchanger	(3580886)
2	3581033	1	· Cover	
3	925027	1	· O-ring	
4	964106	1	· Gasket	
5	963567	1	· Screw	
6	860127	3	· Sealing strip	
7	861551	1	· Plug	
8	860391	1	Bracket	
9	860392	1	Bracket	
10	3581467	1	Bracket	
11	946440	1	Flange screw	
11A	3850090	1	Spacer	
12	948645	1	Lock nut	
13	965226	1	Flange screw	
13A	843122	1	Spacer sleeve	
	861554	1	Spacer sleeve	
14	940143	1	Lock washer	
15	838733	2	Support ring	
16	860450	1	Stay	
17	945444	1	Flange screw	
18	948645	1	Lock nut	
19	965193	1	Screw	
20	953002	4	Stud	L=125mm
21	971095	4	Nut	
22	17378	2	Stud	L=170mm
23	971095	2	Nut	
24	3581099	1	Hose	Heat exchanger-expansion tank-water pump.
25	943477	1	Hose clamp	
26	943474	1	Hose clamp	
27	861109	1	Hose	Thermostat housing-heat exchanger.
28	943477	1	Hose clamp	
29	861340	1	Hose	Oil cooler - heat exchanger.
30	943476	1	Hose clamp	
31	861341	1	Hose	Heat exchanger-exhaust riser.
32	943476	1	Hose clamp	
33	3580941	1	Expansion tank	
34	953003	2	Stud	
	953005	1	Stud	
35	3581040	1	Bracket	
36	971095	3	Nut	
37	946544	1	Flange screw	
38	3581032	1	Spacer sleeve	
39	3285120	1	Rubber ring	
40	976944	1	Washer	
41	968999	1	Screw	
42	942700	X	Hose	L=760mm. Expansion tank-Turbo.
43	945652	2	Hose clamp	
44	942700	X	Hose	L=580mm. Expansion tank-thermostat housing.
45	1674083	1	Pressure cap	
46	967949	2	Screw	
47	952627	2	Clamp	