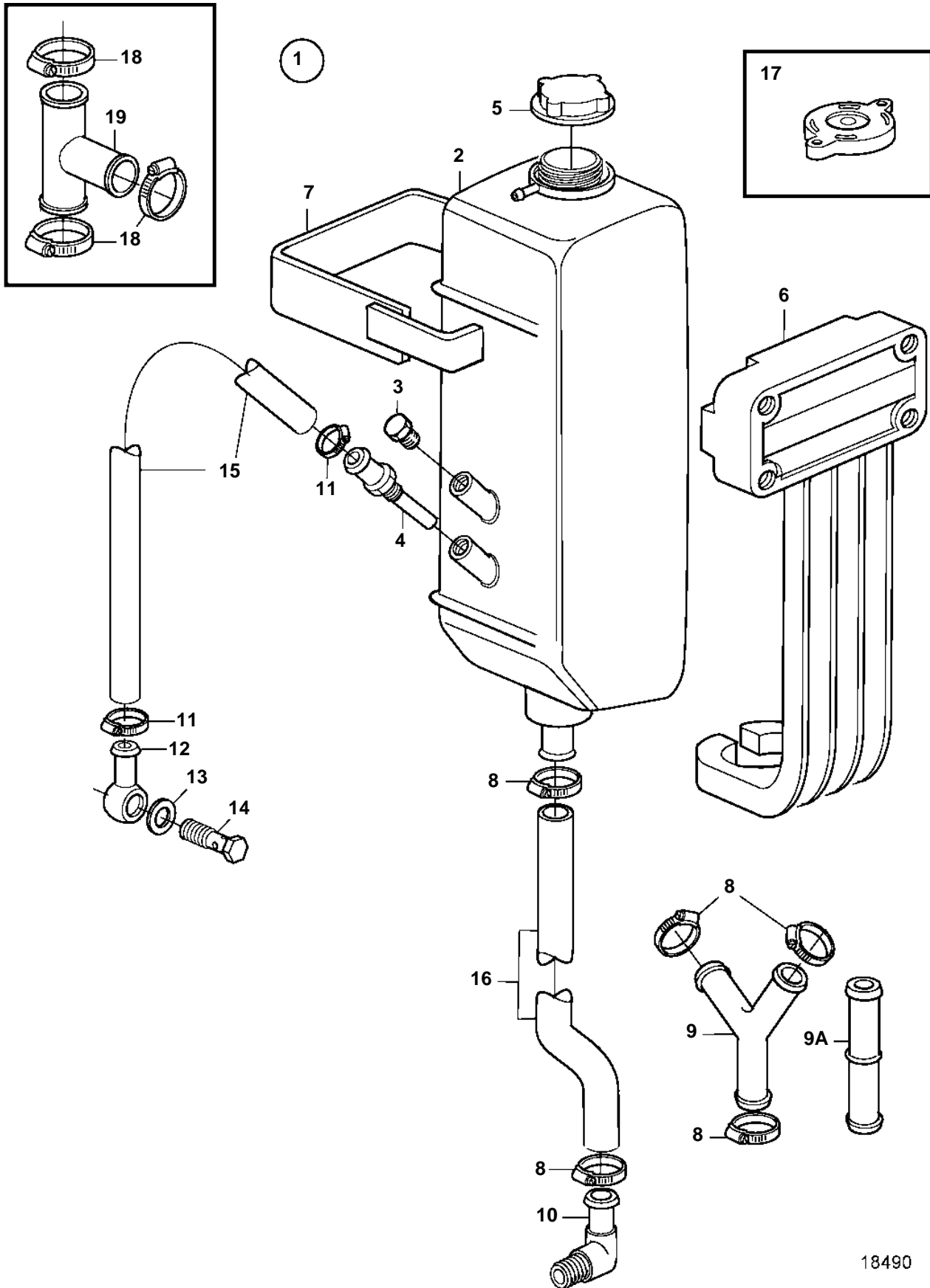


KAD32P-A, TAMD42WJ-A, KAMD43P-A, KAD43P-A, KAMD44P-A, KAD44P-A, KAMD44P-B, KAD44P-B, KAMD44P-C, KAD44P-C, KAMD300-A, KAD300-A



18490

KAD32P-A, TAMD42WJ-A, KAMD43P-A, KAD43P-A, KAMD44P-A, KAD44P-A, KAMD44P-B, KAD44P-B, KAMD44P-C, KAD44P-C, KAMD300-A, KAD300-A

REF	PART NO.	QTY	DESCRIPTION	NOTES
1	861623	1	Expansion tank	REPL BY 3581297
2	844062	1	• Expansion tank	
3	947660	1	• Plug	
4	843247	1	• Tube	
5	860866	1	• Filler cap	50kPa
6	843260	1	• Bracket	
7	843266	1	• Clamp	
8	943472	6	• Hose clamp	
9	345845	1	• T-pipe	
9A	831752	1	• Tube	
10	948600	1	• Elbow nipple	
11	943470	2	• Hose clamp	
12	858750	1	• Banjo nipple	
13	11994	2	• Gasket	
14	947975	1	• Hollow screw	
15	943366	X	• Hose	
16	952969	X	• Rubber hose	
17	845587	1	• Filler cap	
18	943470	3	• Hose clamp	
19	3581298	1	• T-pipe	