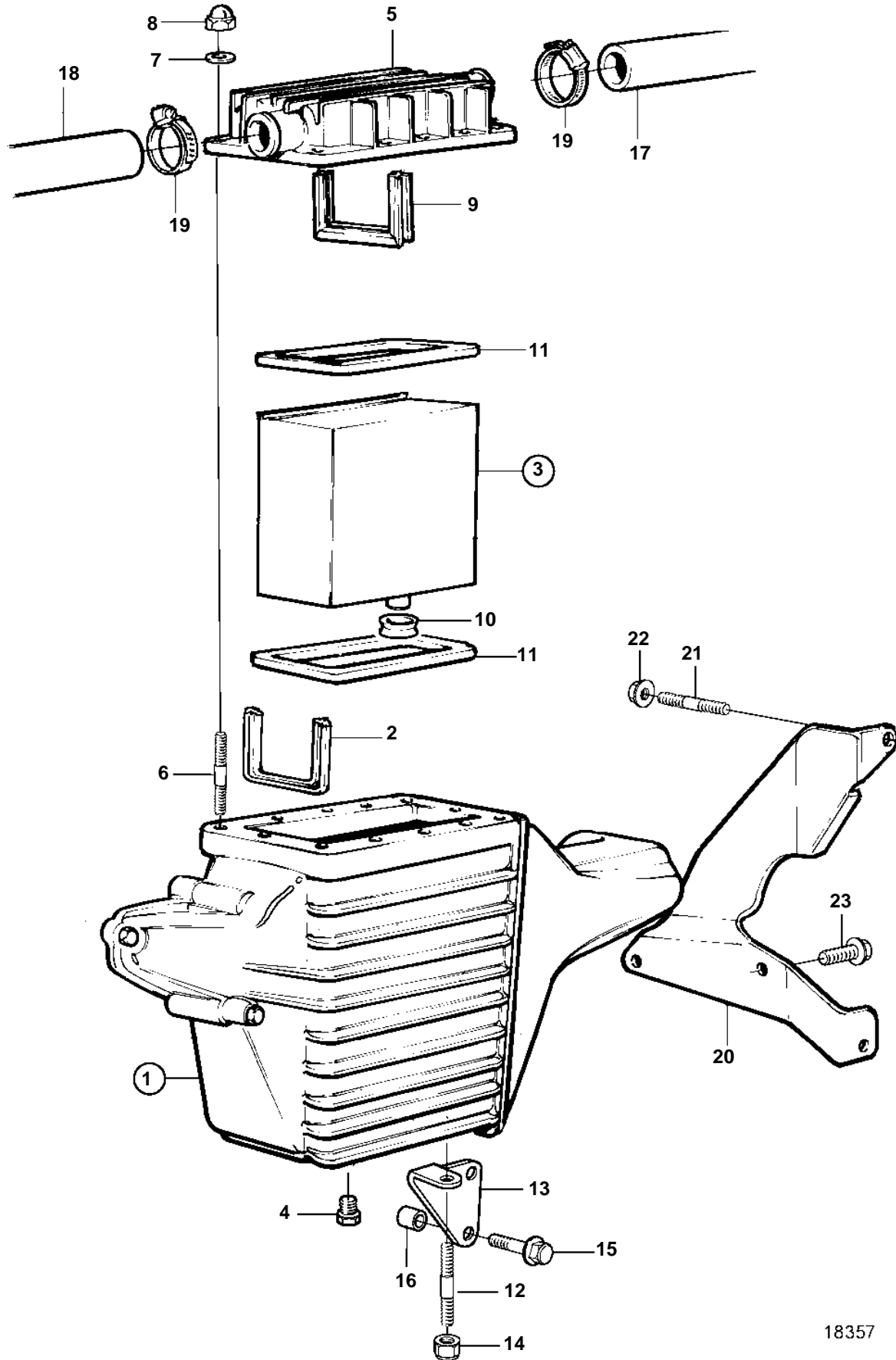


KAMD44P-A, KAD44P-A, KAMD44P-B, KAD44P-B, KAMD44P-C, KAD44P-C



18357

KAMD44P-A, KAD44P-A, KAMD44P-B, KAD44P-B, KAMD44P-C, KAD44P-C

| REF | PART NO. | QTY | DESCRIPTION | NOTES |
|-----|----------|-----|-----------------|-------------------------------|
| 1 | 861657 | 1 | Housing | |
| 2 | 3582639 | 1 | · Sealing strip | (838831) |
| 3 | 3582599 | 1 | Insert | |
| 4 | 861551 | 1 | · Plug | |
| 5 | 861263 | 1 | Cover | |
| 6 | 953036 | 12 | Stud | |
| 7 | 955893 | 12 | Washer | |
| 8 | 968458 | 12 | Nut | |
| 9 | 847573 | 1 | Sealing strip | |
| 10 | 858979 | 1 | Sealing ring | |
| 11 | 860920 | 2 | Gasket | |
| 12 | 953041 | 1 | Stud | |
| 13 | 858965 | 1 | Bracket | |
| 14 | 945408 | 1 | Flange nut | |
| 15 | 965226 | 2 | Flange screw | |
| 16 | 861554 | 2 | Spacer sleeve | |
| 17 | 861337 | 1 | Hose | After cooler-oil cooler. |
| 18 | 861336 | 1 | Hose | Intercooler-sea water filter. |
| 19 | 943477 | 2 | Hose clamp | |
| 20 | 3581025 | 1 | Bracket | |
| 21 | 953041 | 2 | Stud | |
| 22 | 945408 | 2 | Flange nut | |
| 23 | 946441 | 2 | Screw | |