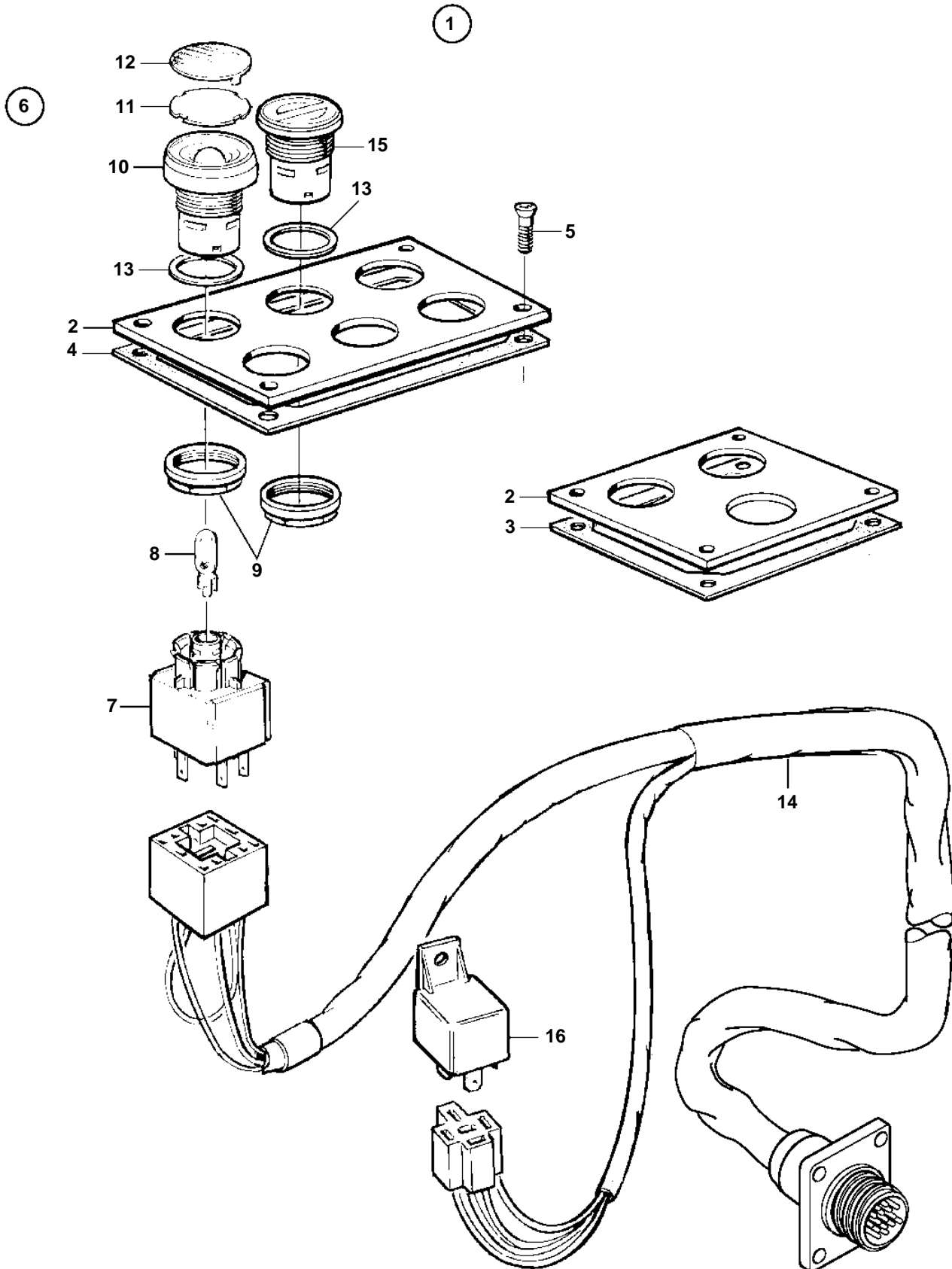


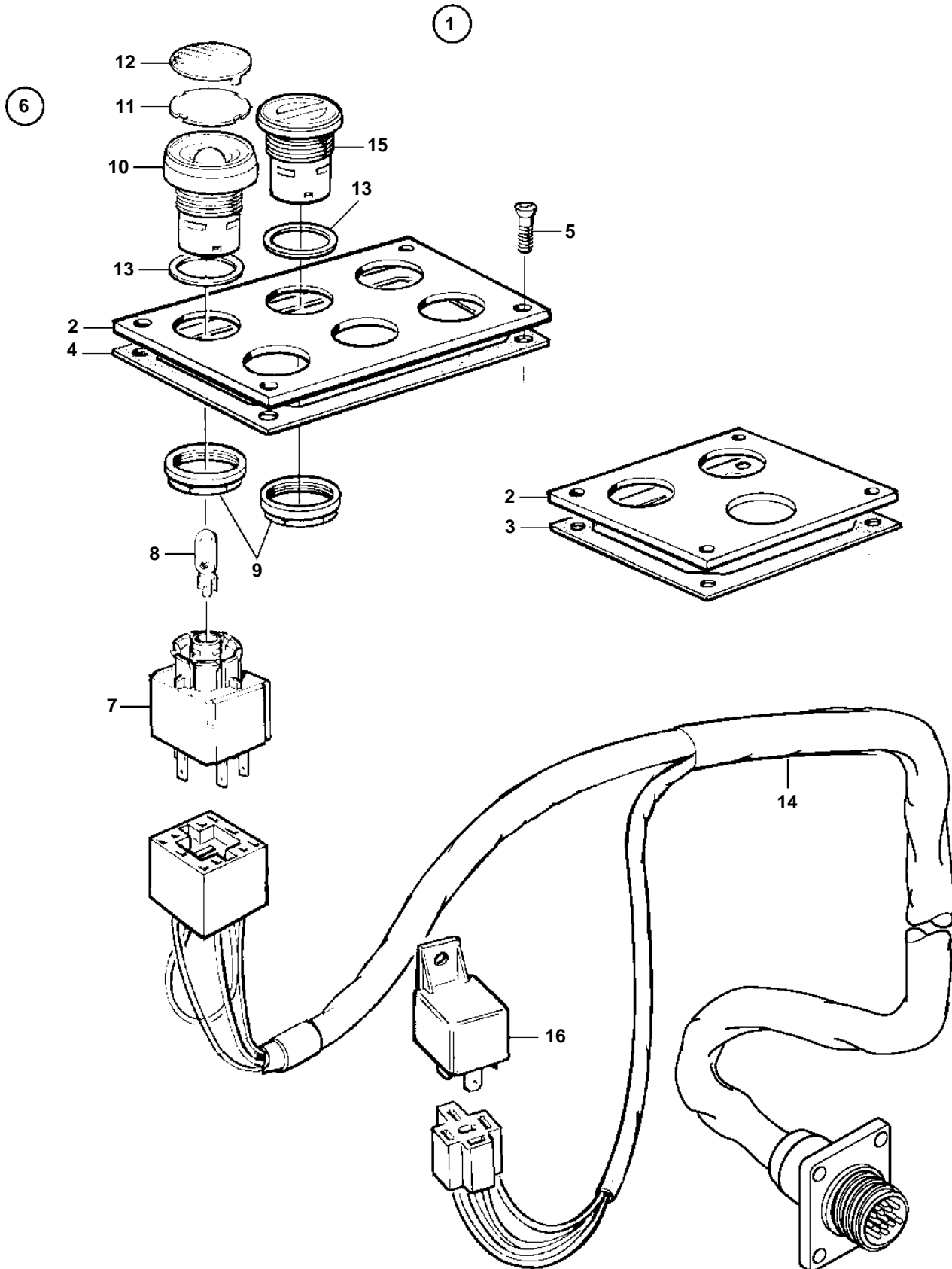
KAMD44P-A, KAD44P-A



KAMD44P-A, KAD44P-A

REF	PART NO.	QTY	DESCRIPTION	NOTES
1		1	Control panel	2 HOLE. Single engine installation. For single station.. NB! Also available as 2x8-pole system.. Round 16-pole connection.
2	873642	1	• Plate	2 HOLE. Single engine installation. For single station.
3	873643	1	• Gasket	
5	828647	4	• Screw	
6	876950	2	• Push button	SPARE PART DESIGN
7		2	• • Connector unit	
8	942327	2	• • Bulb	12V, 1,2W
	943638	2	• • Bulb	24V, 1,2W
9		2	• • Attaching ring	
10		2	• • Button	
11		12	• • Symbol strip	
12		2	• • Cover plate	GREEN
		2	• • Cover plate	YELLOW
		2	• • Cover plate	RED
		2	• • Cover plate	BLUE
13		2	• • Gasket	
14	873629	1	• Cable harness	Round 16-pole connection.

KAMD44P-A, KAD44P-A



KAMD44P-A, KAD44P-A

REF	PART NO.	QTY	DESCRIPTION	NOTES
1		1	Control panel	2 HOLE. Single engine installation. For single station.. NB! Also available as 2x8-pole system.. Round 16-pole connection.
2	873642	1	• Plate	2 HOLE. Single engine installation. For single station.
3	873643	1	• Gasket	
5	828647	4	• Screw	
6	876950	2	• Push button	SPARE PART DESIGN
7		2	• • Connector unit	
8	942327	2	• • Bulb	12V, 1,2W
	943638	2	• • Bulb	24V, 1,2W
9		2	• • Attaching ring	
10		2	• • Button	
11		12	• • Symbol strip	
12		2	• • Cover plate	GREEN
		2	• • Cover plate	YELLOW
		2	• • Cover plate	RED
		2	• • Cover plate	BLUE
13		2	• • Gasket	
14	873629	1	• Cable harness	Round 16-pole connection.