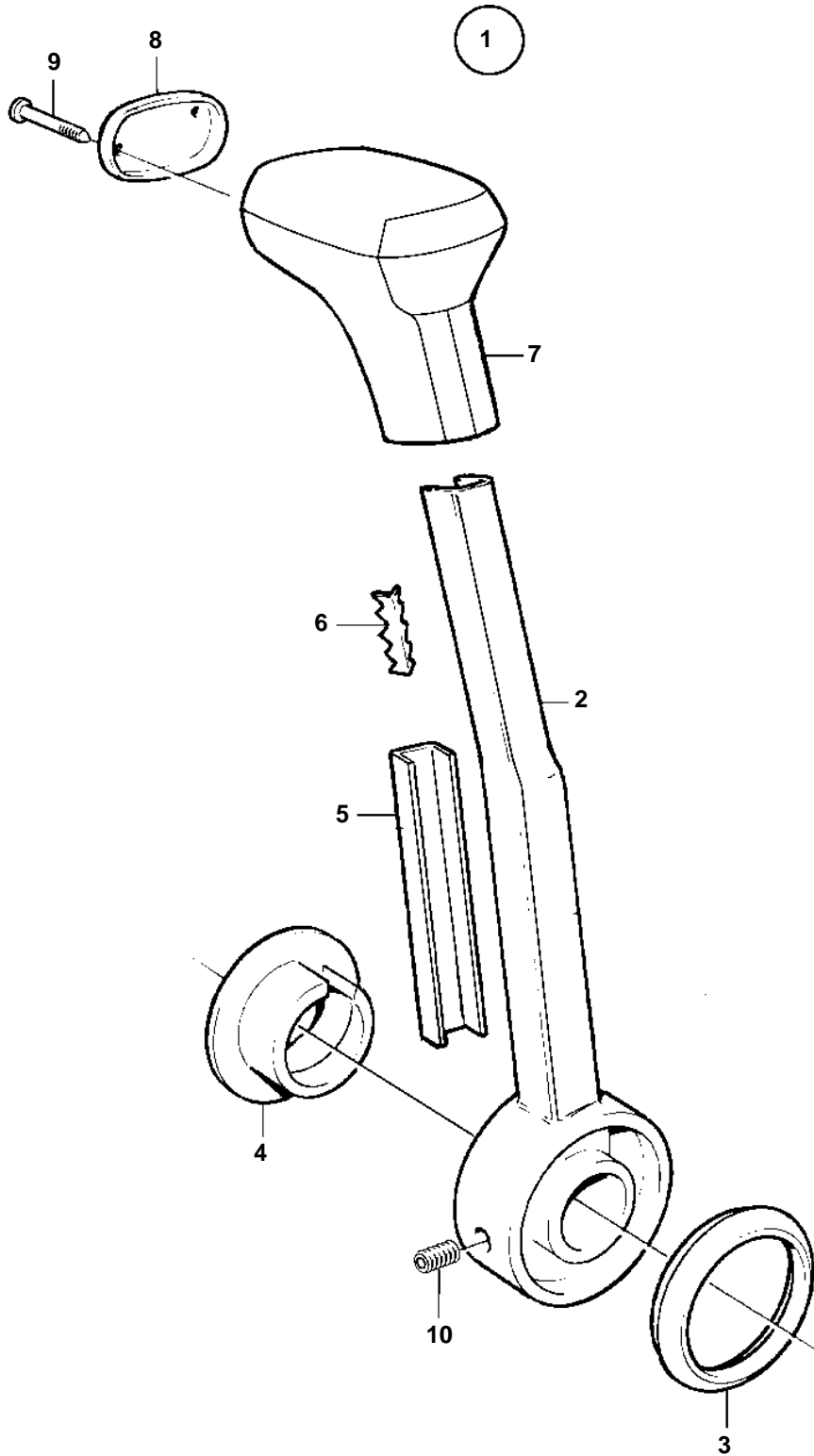


KAD32P-A, TAMD42WJ-A, KAMD43P-A, KAD43P-A



KAD32P-A, TAMD42WJ-A, KAMD43P-A, KAD43P-A

| REF | PART NO. | QTY | DESCRIPTION | NOTES |
|-----|----------|-----|-----------------|----------|
| 1 | 852347 | 1 | Lever | |
| 2 | 828911 | 1 | · Lever | |
| 3 | 852995 | 1 | · Ring | |
| 4 | 853004 | 1 | · Push button | |
| 5 | 852991 | 1 | · Rail | |
| 6 | 853000 | 1 | · Striker plate | |
| 7 | 852989 | 1 | · Handle | |
| 8 | 3818554 | 1 | · Cover | (852992) |
| 9 | 853003 | 2 | · Nail | |
| 10 | 963678 | 1 | · Screw | |