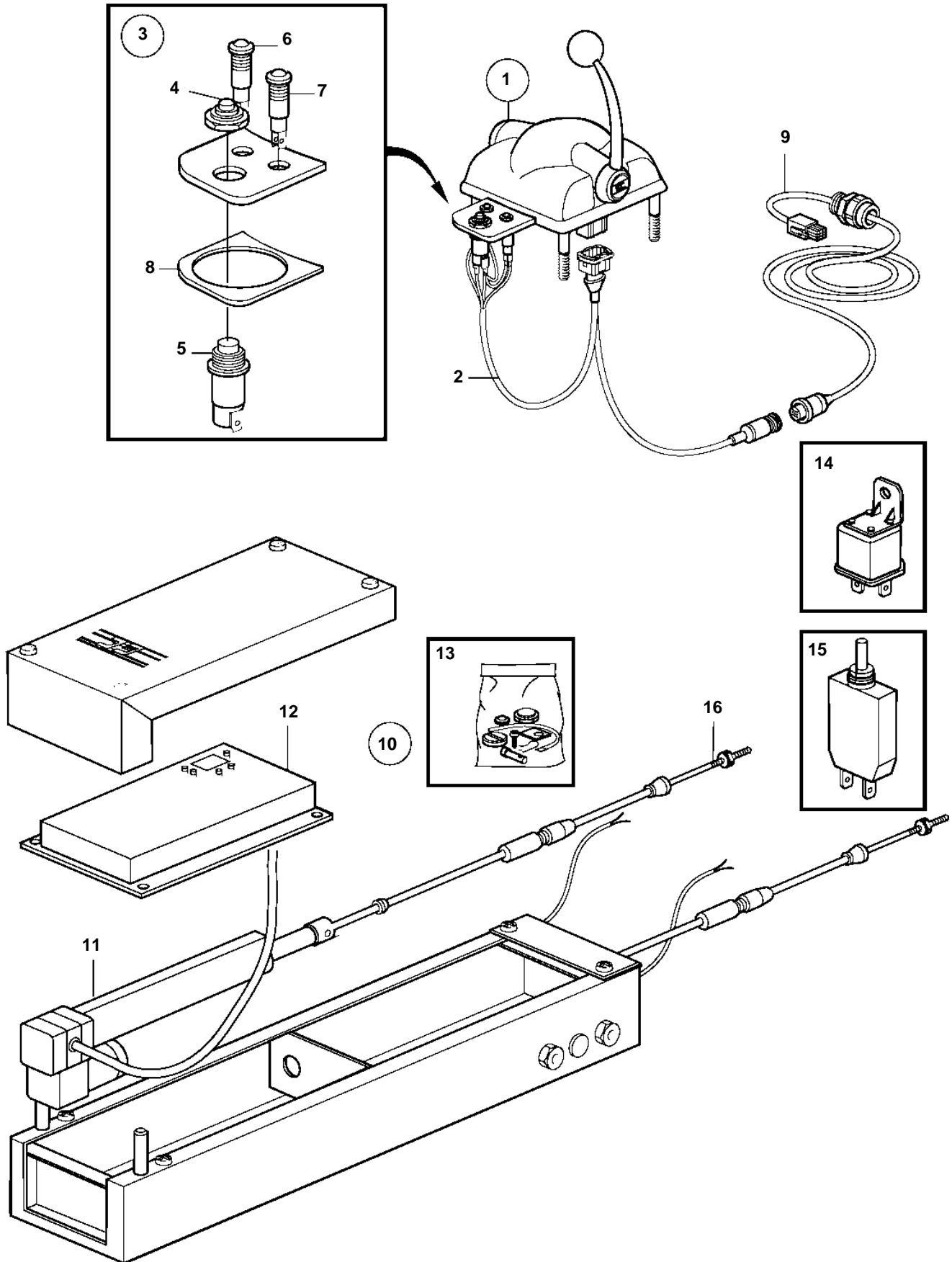


KAD32P-A, KAMD43P-A, KAD43P-A



KAD32P-A, KAMD43P-A, KAD43P-A

REF	PART NO.	QTY	DESCRIPTION	SEE SEC.	NOTES
1	3861025	1	Engine speed control	5094	REPL BY 874734. For single station.
1	874734	1	Control		For single station.
2	3860490	1	Cable harness		For single station.
3	3860491	1	Panel		For single station.
4	828586	1	· Nut		For single station.
5	828718	1	· Switch		For single station.
6	3860539	1	· Lamp		For single station.
7	3860540	1	· Lamp		For single station.
8	3860541	1	· Gasket		For single station.
9	3860494	X	Cable harness		L=5m
	3860495	X	Cable harness		L=10m
	3860496	X	Cable harness		L=15m
	3860497	X	Cable harness		L=20m
	3860498	X	Cable harness		L=25m
10	3860487	1	Control system		For single station.
11	3860533	2	· Actuator		For single station.
12	3860534	1	· Unit		For single station.
13	3860535	1	· Small parts kit		For single station.
14	841177	1	Relay		For single station.
15	966689	1	Fuse		For single station.
16		X	Control cable	231	