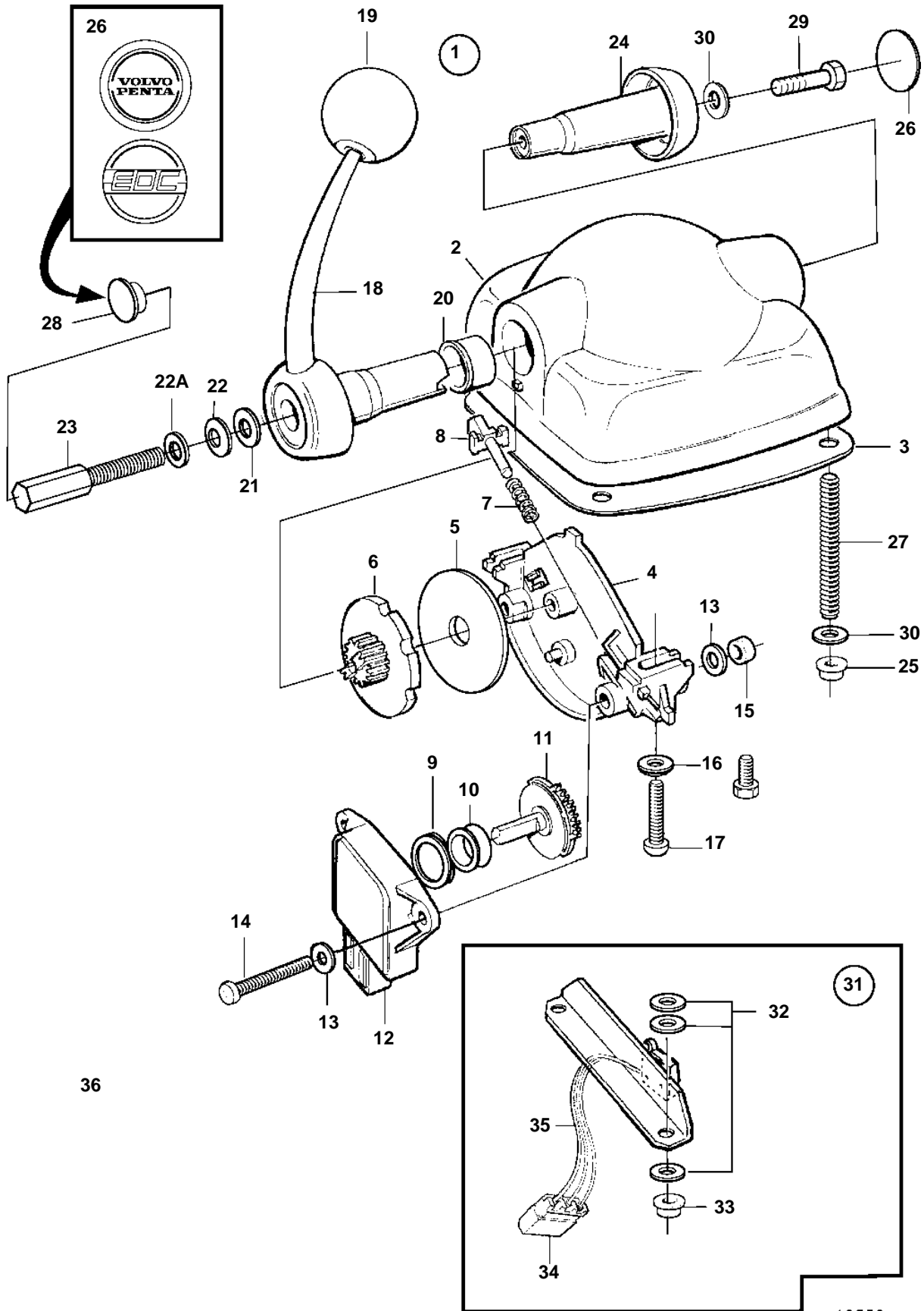


KAMD44P-A, KAD44P-A, KAMD44P-B, KAD44P-B, KAMD44P-C, KAD44P-C, KAMD300-A, KAD300-A, D12C-A MP, D12D-A MH, TAMD122P-B, TAMD122P-C



36

19559

KAMD44P-A, KAD44P-A, KAMD44P-B, KAD44P-B, KAMD44P-C, KAD44P-C, KAMD300-A, KAD300-A, D12C-A MP, D12D-A MH, TAMD122P-B, TAMD122P-C

REF	PART NO.	QTY	DESCRIPTION	SEE SEC.	NOTES
1	874734	1	Control		(1140657). For singel installation.
2		1	• Control housing		
3	3581674	1	• Gasket		
4		1	• Plate		
5	3581666	1	• Washer		
6		1	• Plate		
7		1	• Spring		
8		1	• Lug		
9		1	• Spacer ring		
10	3581676	1	• Ring		
11	3581668	1	• Gear		
12	1336385	1	• Potentiometer		
13		4	• Washer		
14	3581678	2	• Screw		
15	3581680	2	• Nut		
16		2	• Washer		
17	3581681	2	• Screw		
18		1	• Lever		
19	3581675	1	• Ball		
20	3581673	1	• Bearing		
21		1	• Washer		
22		1	• Disc spring		
22A		1	• Washer		
23		1	• Adjusting screw		
24	3581687	1	• Plug		
25	3581686	4	• Nut		
26	3584000	1	• Decal		VOLVO PENTA
	3581669	1	• Decal		EDC
27		4	• Stud		
28	3582830	1	• Plug		
29		1	• Screw		
30		5	• Washer		
31	873870	1	Microswitch		
32		6	• Washer		
33		2	• Nut		
34		X	• Housing		SEE GROUP 30
35		X	• Cable		SEE GROUP 30
36		1	Control panel		
				4372	