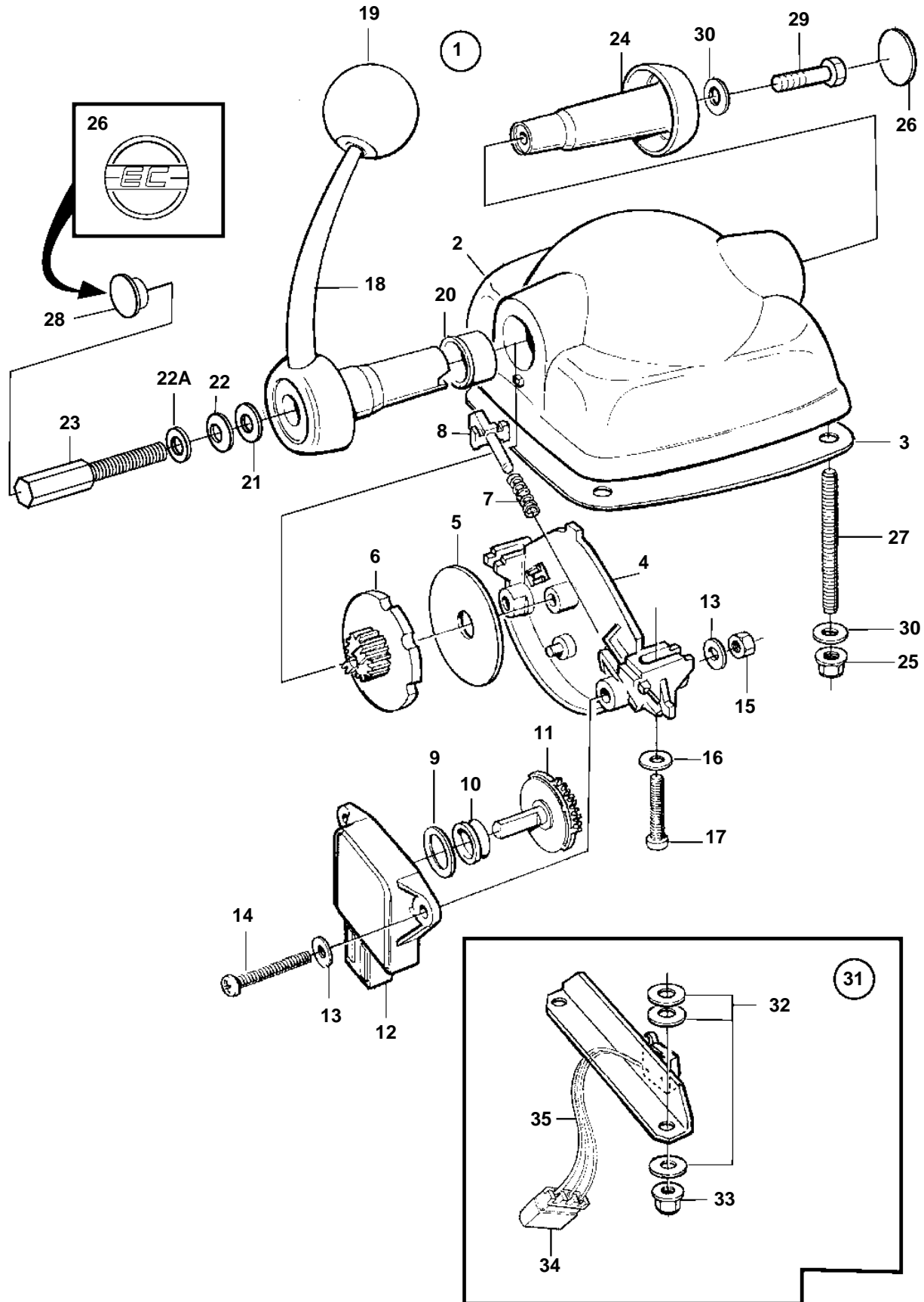


KAD32P-A, KAMD43P-A, KAD43P-A



KAD32P-A, KAMD43P-A, KAD43P-A

REF	PART NO.	QTY	DESCRIPTION	NOTES
1	1140657	1	Control	For singel installation.
2		1	• Control housing	
3	3581674	1	• Gasket	
4		1	• Plate	
5	3581666	1	• Washer	
6		1	• Plate	
7		1	• Spring	
8		1	• Lug	
9		1	• Spacer ring	
10	3581676	1	• Ring	
11	3581668	1	• Gear	
12	1336385	1	• Potentiometer	
13		4	• Washer	
14	3581678	2	• Screw	
15	3581680	2	• Nut	
16		2	• Washer	
17	3581681	2	• Screw	
18		1	• Lever	
19	3581675	1	• Ball	
20	3581673	1	• Bearing	
21		1	• Washer	
22		1	• Disc spring	
22A		1	• Washer	
23		1	• Adjusting screw	
24	3581687	1	• Plug	
25	3581686	4	• Nut	
26	3860543	1	• Decal	
27		4	• Stud	
28	3582830	1	• Plug	
29		1	• Screw	
30		5	• Washer	
31	873870	1	Microswitch	
32		6	• Washer	
33		2	• Nut	
34		X	• Housing	SEE GROUP 30
35		X	• Cable	SEE GROUP 30