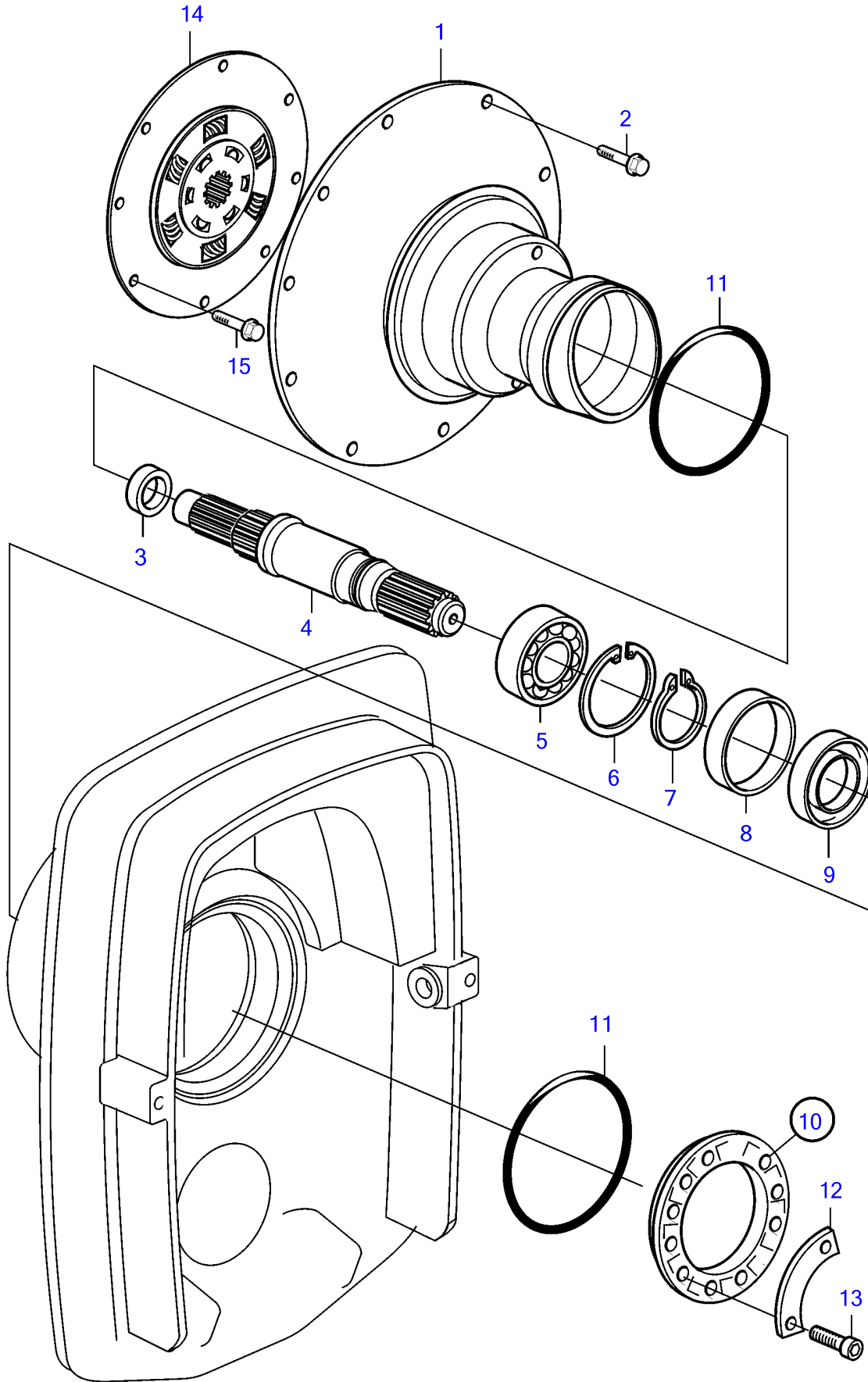


DP-D, DP-D1, DP-E, DP-G, DP-D2



25754

DP-D, DP-D1, DP-E, DP-G, DP-D2

REF	PART NO.	QTY	DESCRIPTION	NOTES
1	872836	1	Flywheel housing	Repl by 3860991
	3860991	1	Flywheel housing	
2	946752	10	Flange screw	L=35mm
3	872761	1	Bushing	
4	873013	1	Primary shaft	
5	184841	1	Ball bearing	
6	914533	1	Snap ring	
7	914462	1	Snap ring	
8	872991	1	Bushing	
9	958860	1	Sealing ring	
10	854317	1	Clamping ring kit	
11	813967	2	• Rubber ring	
12	806624	3	• Striker plate	
13	191844	6	• Hexagon screw	
14	855389	1	Absorber	KAD32P-A
	855617	1	Oscillation damper	KAD43P-A, KAD44P-A/B/C, KAD300-A
15	946173	6	Flange screw	

7738870-44-5123

25754

Upd:2012-02-13