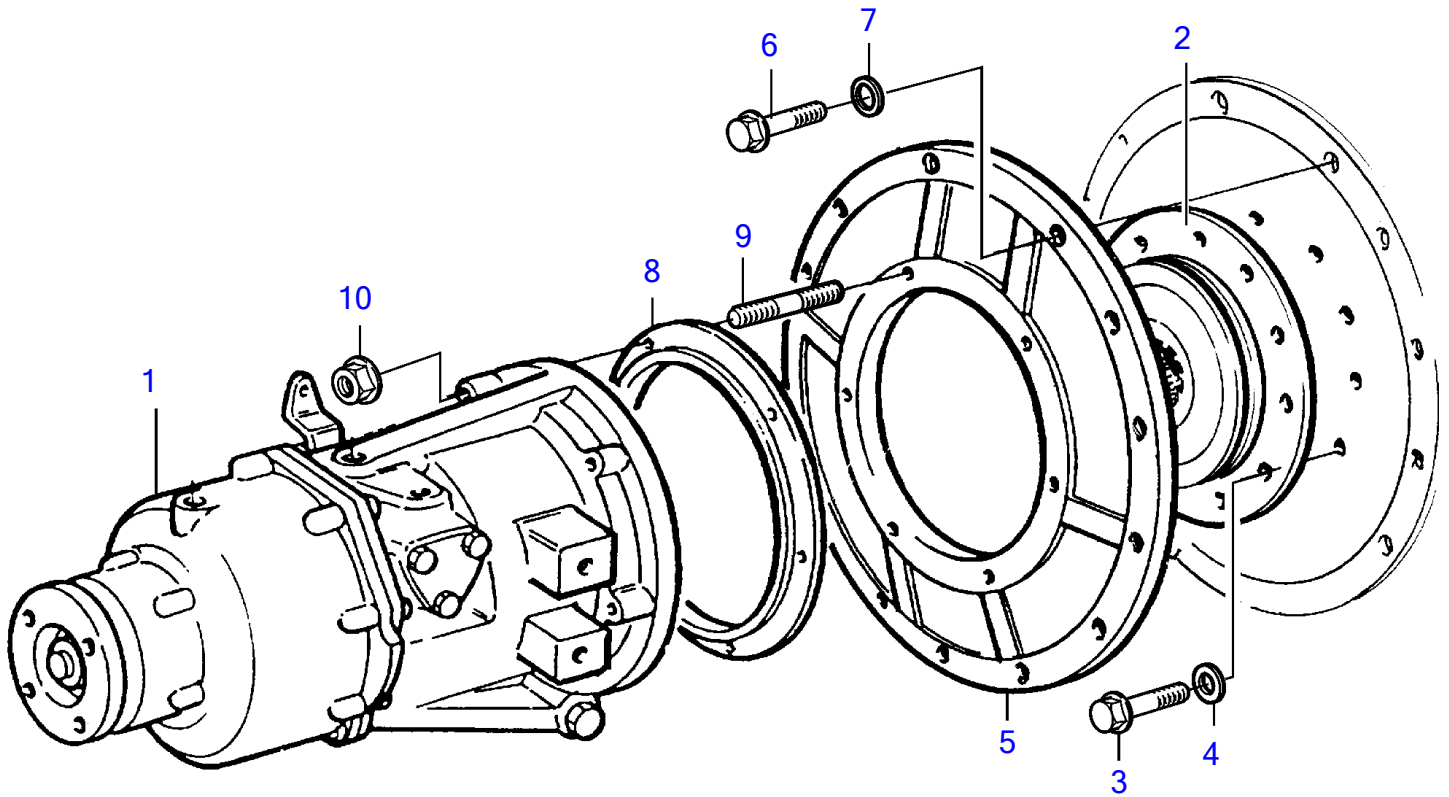


KAD32P, KAD32P-A, TAMD42WJ-A, KAD43P, KAD43P-A, KAMD43P, KAMD43P-A, KAD44P, KAD44P-A, KAD44P-B, KAD44P-C, KAMD44P, KAMD44P-A, KAMD44P-B, KAMD44P-C, KAD300, , KAMD300, KAMD300-A



19459

KAD32P, KAD32P-A, TAMD42WJ-A, KAD43P, KAD43P-A, KAMD43P, KAMD43P-A, KAD44P, KAD44P-A, KAD44P-B, KAD44P-C, KAMD44P, KAMD44P-A, KAMD44P-B, KAMD44P-C, KAD300, , KAMD300, KAMD300-A

REF	PART NO.	QTY	DESCRIPTION	NOTES
1		1	Reversing gear	
2	854753	1	Vibration damper	Replaced by 1pcs 3582751, vibration damper, 6pcs 959227, screw and 6pcs 941907, spring washer.
	3582751	1	Oscillation damper	
3	959227	6	Hex. socket screw	
4	941907	6	Spring washer	
5	829489	1	Cardboard tube	
6	946752	11	Flange screw	
7	941908	11	Spring washer	
8	859566	1	Spacer ring	
9	953084	6	Stud	
10	971095	6	Flange nut	