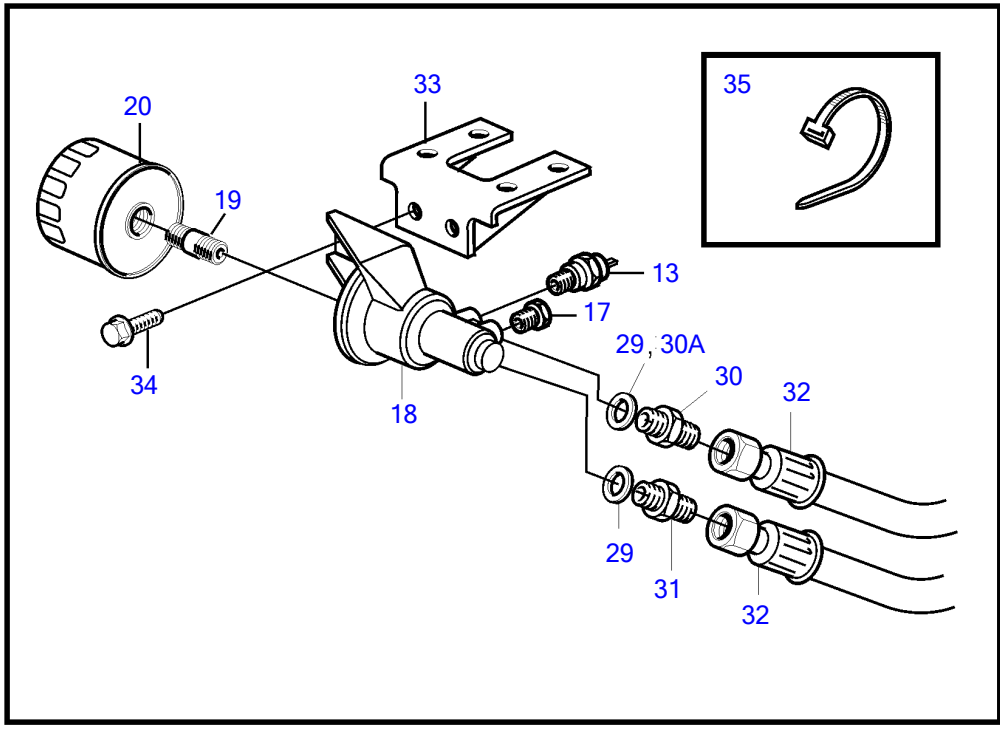
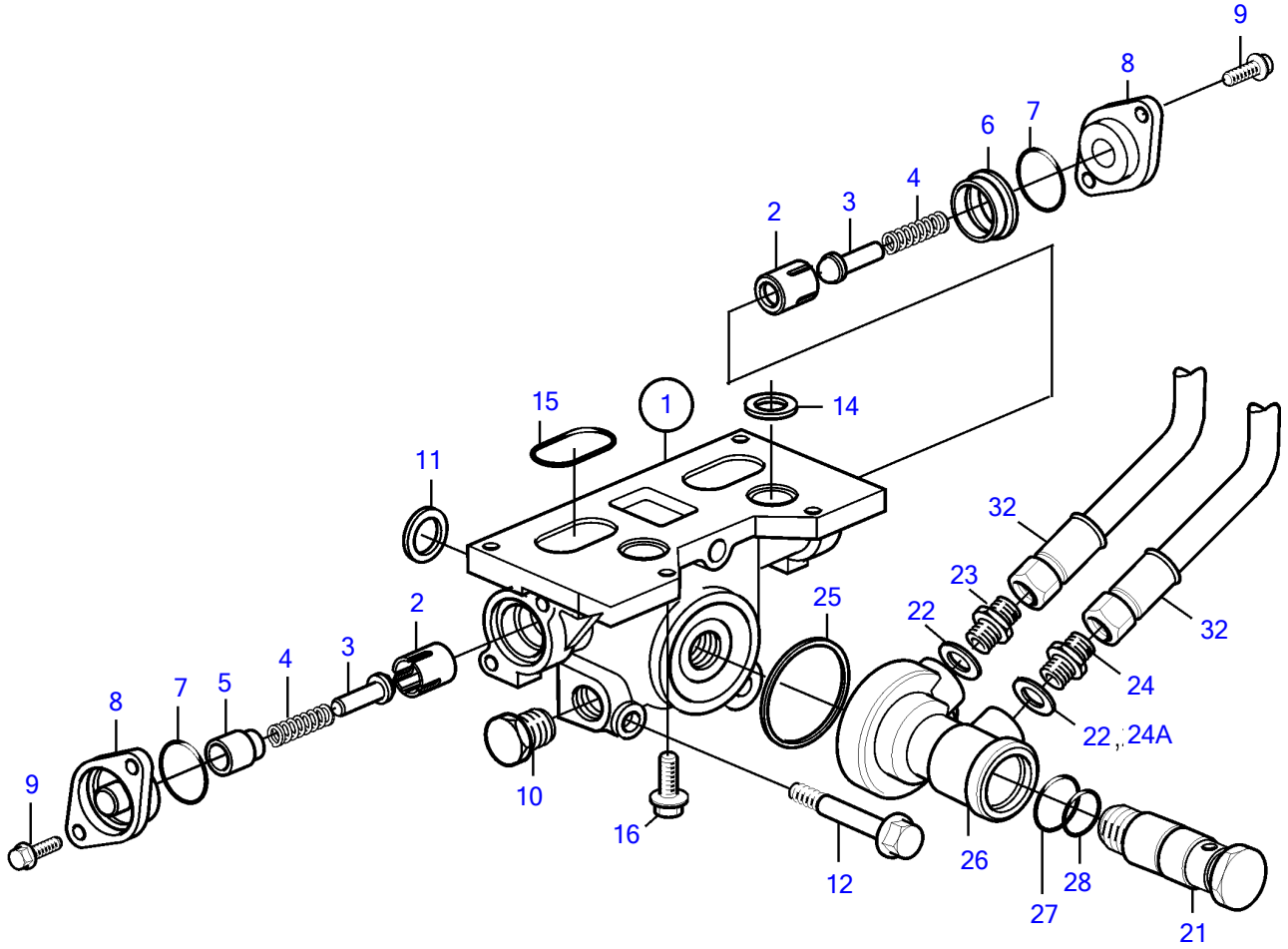


KAD32P-A



KAD32P-A

REF	PART NO.	QTY	DESCRIPTION	SEE SEC.	NOTES
1	3581943	1	Oil filter housing		(860608)
2	1542265	2	• Valve seat		
3	471085	2	• Valve cone		
4	468087	2	• Spring		
5	3581951	1	• Sleeve		
6	3581950	1	• Sleeve		
7	949659	2	• O-ring		
8	1542267	2	• Cover		
9	946544	4	• Flange screw		
10	479977	1	• Plug		
11	469483	4	Sealing ring		
12	965182	3	Flange screw		
13		1	Pressure switch	3079	
14	469483	2	Sealing ring		
15	859086	2	Sealing ring		
16	946671	4	Flange screw		
17	479979	1	Plug		Alt
18	860530	1	Filter housing		Obsolete part
19	846015	1	Nipple		
20	3517857	1	Oil filter		
21	860482	1	Screw		
22	947627	2	Gasket		Early type
	947627	1	Gasket		Late type
23	947554	1	Nipple		
24		1	Nipple		Early type
	3582505	1	Nipple		Late type
24A	982416	1	• Gasket		Late type
25	967343	1	O-ring		
26	860483	1	Adapter		
27	949659	1	O-ring		
28	949721	1	O-ring		
29	947627	2	Gasket		Early type
	947627	1	Gasket		Late type
30		1	Nipple		Early type
	3582505	1	Nipple		Late type
30A	982416	1	• Gasket		Late type
31	947554	1	Nipple		
32	3581448	2	Oil hose		
33	3581475	1	Bracket		
34	946173	2	Flange screw		
35	948616	1	Cable tie		