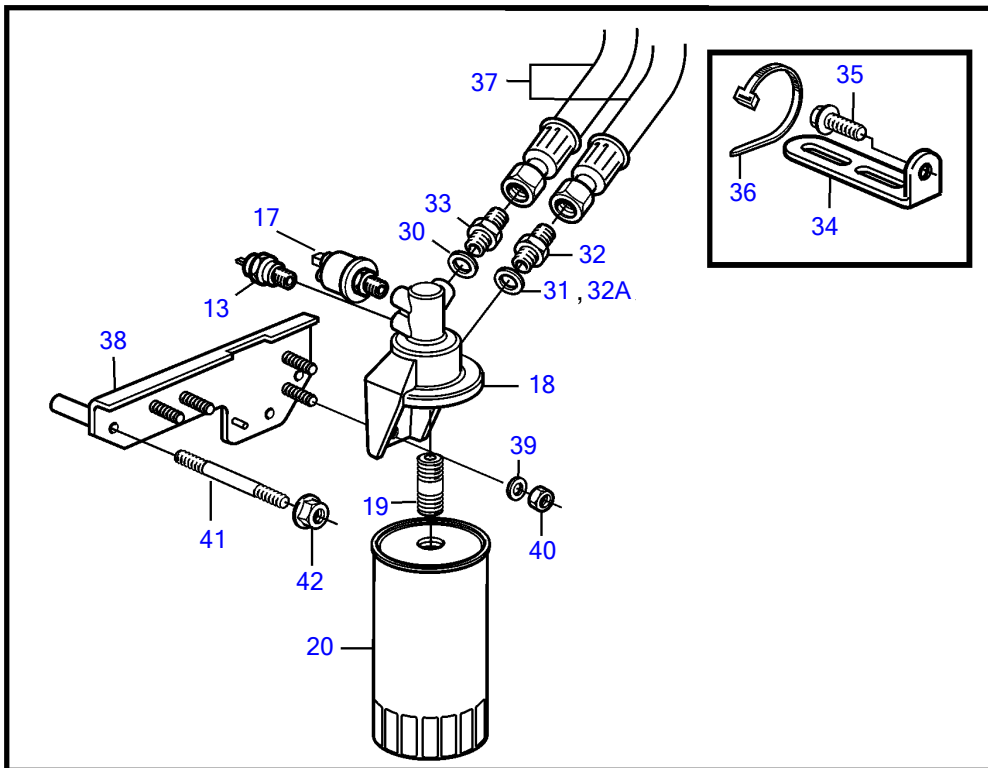
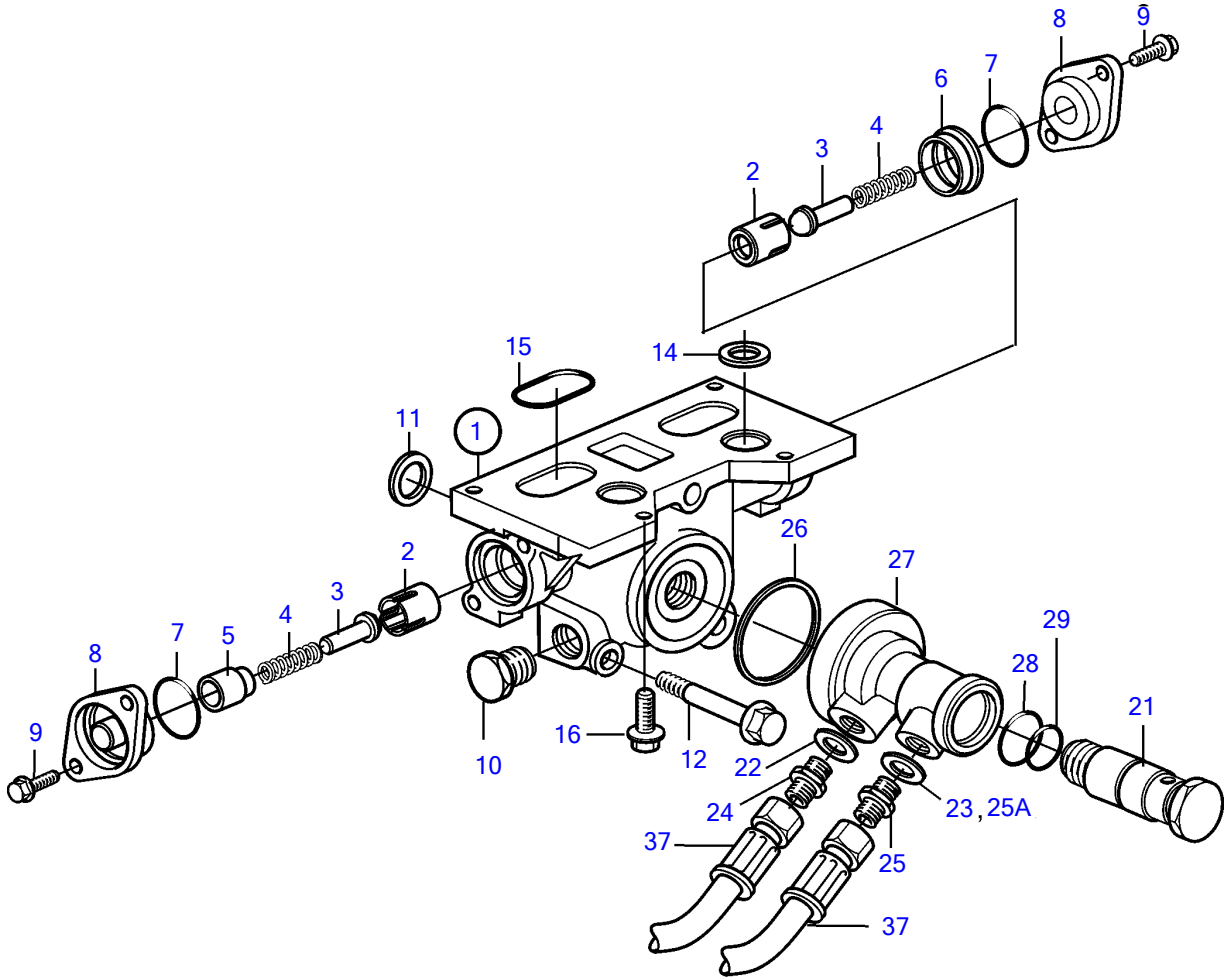


, KAMD300-A



18189

, KAMD300-A

| REF | PART NO.  | QTY | DESCRIPTION         | SEE SEC. | NOTES               |
|-----|-----------|-----|---------------------|----------|---------------------|
| 1   | 3581943   | 1   | Oil filter housing  |          | (860608)            |
| 2   | 1542265   | 2   | • Valve seat        |          |                     |
| 3   | 471085    | 2   | • Valve cone        |          |                     |
| 4   | 468087    | 2   | • Spring            |          |                     |
| 5   | 3581951   | 1   | • Sleeve            |          |                     |
| 6   | 3581950   | 1   | • Sleeve            |          |                     |
| 7   | 949659    | 2   | • O-ring            |          |                     |
| 8   | 1542267   | 2   | • Cover             |          |                     |
| 9   | 946544    | 4   | • Flange screw      |          |                     |
| 10  | 479977    | 1   | • Plug              |          |                     |
| 11  | 469483    | 4   | Sealing ring        |          |                     |
| 12  | 965182    | 3   | Flange screw        |          |                     |
| 13  |           | 1   | Pressure switch     |          | KAMD44P-C, KAD44P-C |
| 14  | 469483    | 2   | Sealing ring        |          |                     |
| 15  | 859086    | 2   | Sealing ring        |          |                     |
| 16  | 946671    | 4   | Flange screw        |          |                     |
| 17  |           | 1   | Oil pressure sensor |          | KAMD44P-C, KAD44P-C |
| 18  | 860530    | 1   | Filter housing      |          | Obsolete part       |
| 19  | 423067    | 1   | Nipple              |          |                     |
| 20  | 4785974   | 1   | Oil filter          |          |                     |
| 21  | 860482    | 1   | Screw               |          |                     |
| 22  | 947627    | 1   | Gasket              |          |                     |
| 24  | 947554    | 1   | Nipple              |          |                     |
| 25  | 3582505   | 1   | Nipple              |          | Late type           |
| 25A | 982416    | 1   | • Gasket            |          | Late type           |
| 26  | 967343    | 1   | O-ring              |          |                     |
| 27  | 860483    | 1   | Adapter             |          |                     |
| 28  | 949659    | 1   | O-ring              |          |                     |
| 29  | 949721    | 1   | O-ring              |          |                     |
| 30  | 947627    | 1   | Gasket              |          |                     |
| 32  | 3582505   | 1   | Nipple              |          | Late type           |
| 32A | 982416    | 1   | • Gasket            |          | Late type           |
| 33  | 947554    | 1   | Nipple              |          |                     |
| 36  | 948211    | 3   | Cable tie           |          |                     |
|     | 948616    | 1   | Cable tie           |          |                     |
| 37  | 860527    | 2   | Oil hose            |          |                     |
| 38  | (3581395) | 1   | Bracket             |          | Obsolete part       |
| 40  | 945408    | 2   | Flange nut          |          |                     |
| 41  |           | 2   | Stud                | 5091     |                     |
| 42  |           | 2   | Nut                 | 5091     |                     |