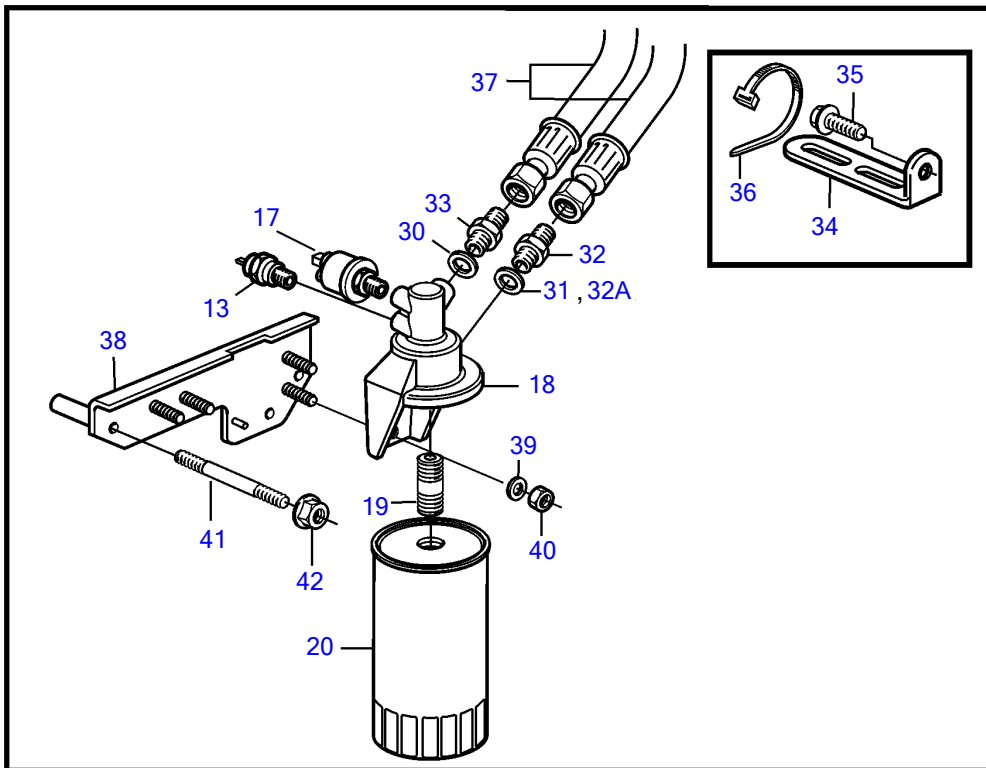
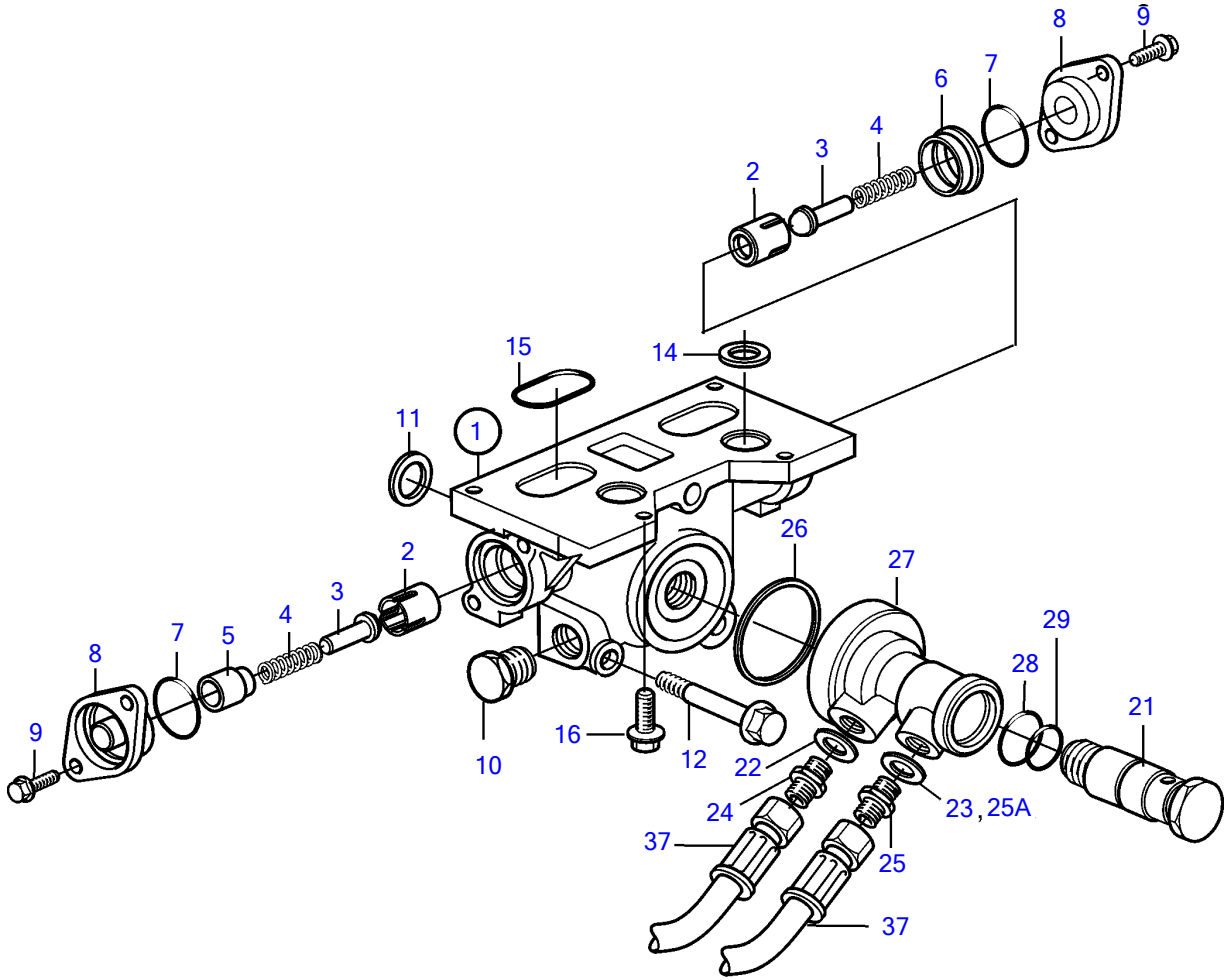


KAD44P-A, KAD44P-B, KAD44P-C, KAMD44P-A, KAMD44P-B, KAMD44P-C



18189

KAD44P-A, KAD44P-B, KAD44P-C, KAMD44P-A, KAMD44P-B, KAMD44P-C

REF	PART NO.	QTY	DESCRIPTION	SEE SEC.	NOTES
1	3581943	1	Oil filter housing		(860608)
2	1542265	2	• Valve seat		
3	471085	2	• Valve cone		
4	468087	2	• Spring		
5	3581951	1	• Sleeve		
6	3581950	1	• Sleeve		
7	949659	2	• O-ring		
8	1542267	2	• Cover		
9	946544	4	• Flange screw		
10	479977	1	• Plug		
11	469483	4	Sealing ring		
12	965182	3	Flange screw		
13		1	Pressure switch		KAMD44P-A, KAD44P-A
		1	Pressure switch		KAMD44P-B, KAD44P-B
		1	Pressure switch		KAMD44P-C, KAD44P-C
14	469483	2	Sealing ring		
15	859086	2	Sealing ring		
16	946671	4	Flange screw		
17		1	Oil pressure sensor		KAMD44P-A, KAD44P-A
		1	Oil pressure sensor		KAMD44P-B, KAD44P-B
		1	Oil pressure sensor		KAMD44P-C, KAD44P-C
18	860530	1	Filter housing		Obsolete part
19	423067	1	Nipple		
20	4785974	1	Oil filter		
21	860482	1	Screw		
22	947627	1	Gasket		
23	947627	1	Gasket		Early type
24	947554	1	Nipple		
25		1	Nipple		Early type
	3582505	1	Nipple		Late type
25A	982416	1	• Gasket		Late type
26	967343	1	O-ring		
27	860483	1	Adapter		
28	949659	1	O-ring		
29	949721	1	O-ring		
30	947627	1	Gasket		
31	947627	1	Gasket		Early type
32		1	Nipple		Early type
	3582505	1	Nipple		Late type
32A	982416	1	• Gasket		Late type
33	947554	1	Nipple		
36	948211	3	Cable tie		
	948616	1	Cable tie		
37	860527	2	Oil hose		
38	(3581395)	1	Bracket		Obsolete part
40	945408	2	Flange nut		
41		2	Stud	2974	
42		2	Nut	2974	