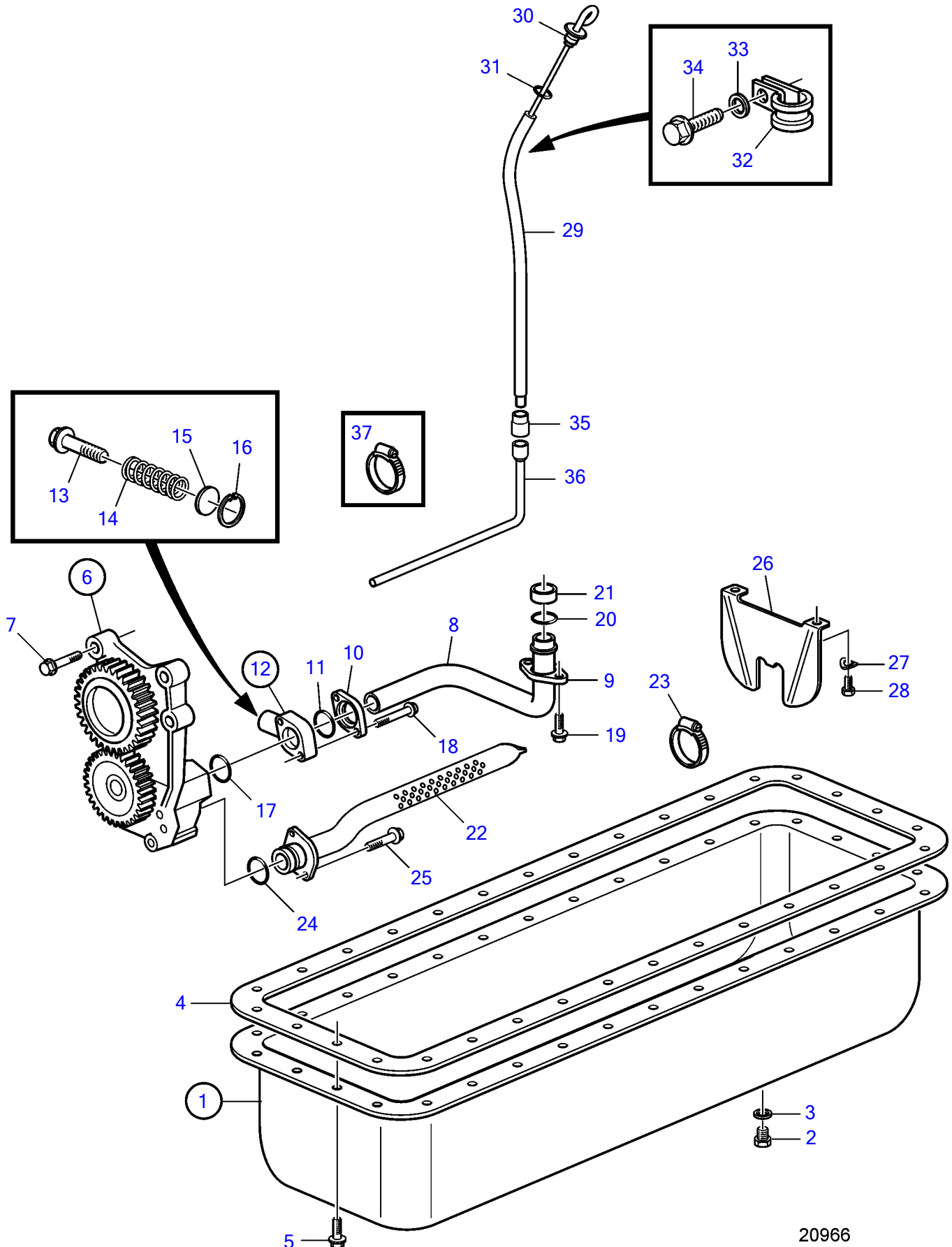


, KAMD300-A



, KAMD300-A

REF	PART NO.	QTY	DESCRIPTION	SEE SEC.	NOTES
1	861151	1	Sump		
2	948187	1	Plug		Alt
3	18818	1	Gasket		Alt
4	861251	1	Gasket		
5	946440	31	Flange screw		L=16mm
	946671	1	Flange screw		L=30mm
6	860721	1	Oil pump		
			.		
			.	528	
7	948217	4	Flange screw		
8	860821	1	Delivery pipe		
9	1542248	1	Flange		
10	3581206	1	Flange		
11	976039	1	O-ring		Obsolete part
12	3581308	1	Reducing valve		
			• Bulletin 44-32	44-32-EN	Reduction Valve D31, 41, 42
			• Bulletin 44-32A	44-32A-EN	Reduction Valve D31, 41, 42
13	471115	1	• Reduction valve		
14	1542257	1	• Spring		
15	948343	1	• Disc		
16	914506	1	• Snap ring		
17	469482	1	Sealing ring		
18	965183	2	Flange screw		L=90mm
19	946173	2	Flange screw		
20	976039	1	O-ring		Obsolete part
21	471956	1	Gasket		
22	861064	1	Suction pipe		
23	943473	1	Hose clamp		
24	469483	2	Sealing ring		
25	965217	2	Flange screw		
26	860999	1	Baffle plate		
27	942385	2	Disc spring		
28	946440	2	Flange screw		
29	861100	1	Tube		
30	861087	1	Dipstick		
31	960155	1	• O-ring		
32	949746	1	Clamp		
33	955893	1	Washer		
34	948746	1	Flange screw		(968855)
35	843533	1	Rubber cushion		
36	861083	1	Suction pipe		
37	943469	1	Hose clamp		

7738870-22-4918

20966

Upd:2012-02-13