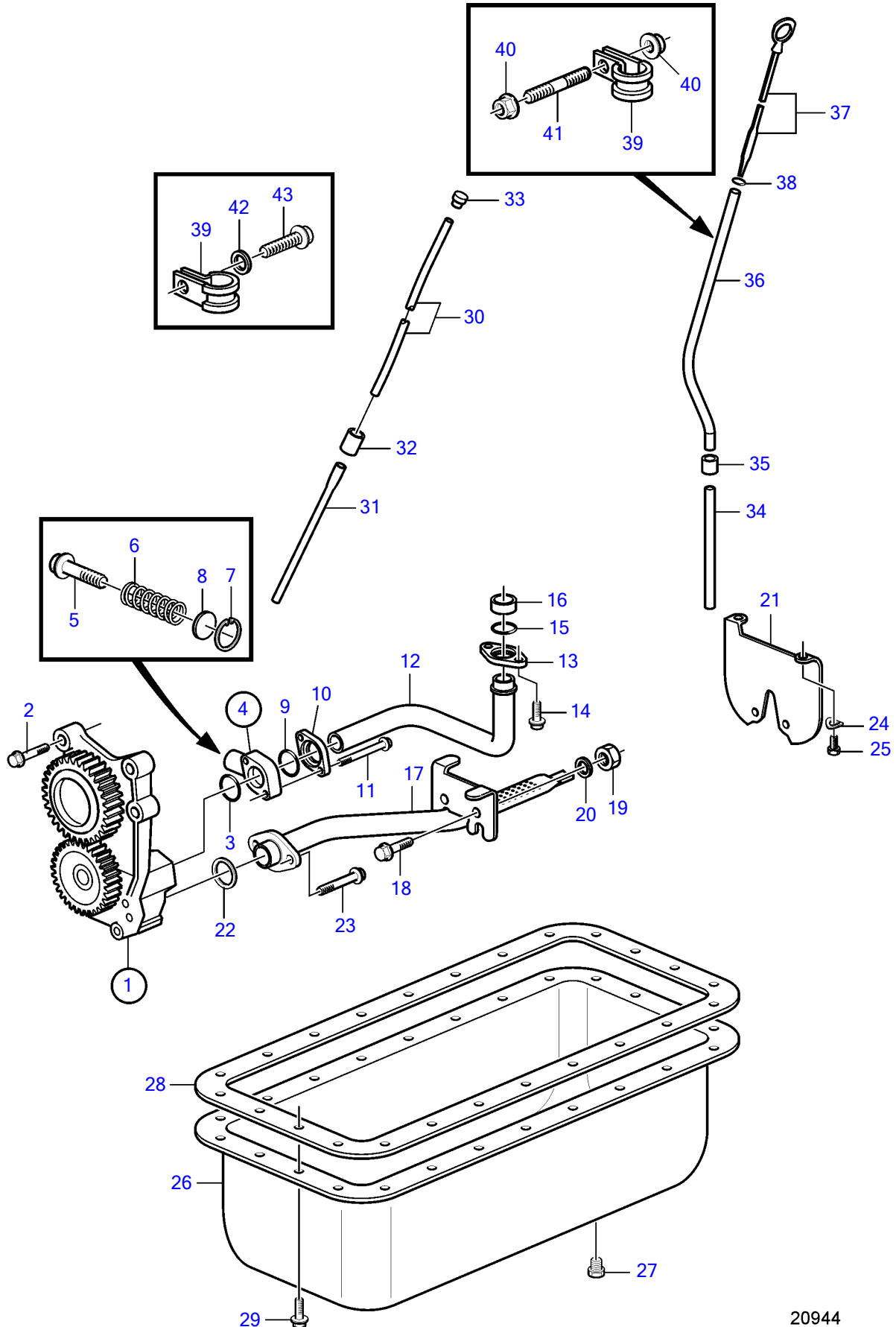


KAD32P-A



KAD32P-A

REF	PART NO.	QTY	DESCRIPTION	SEE SEC.	NOTES
1	860721	1	Oil pump		
			•		
			•	528	
2	948217	4	Flange screw		
3	469482	1	Sealing ring		
4	3581308	1	Reducing valve		
			• Bulletin 44-32	44-32-EN	Reduction Valve D31, 41, 42
			• Bulletin 44-32A	44-32A-EN	Reduction Valve D31, 41, 42
5	471115	1	• Reduction valve		
6	1542257	1	• Spring		
7	948343	1	• Disc		
8	914506	1	• Snap ring		
9	976039	2	O-ring		Obsolete part
10	3581206	1	Flange		
11	965183	2	Flange screw		
12	860821	1	Delivery pipe		
13	1542248	1	Flange		
14	946173	2	Flange screw		
15	976039	1	O-ring		(980936), Obsolete part
16	471956	1	Gasket		
17	861321	1	Suction pipe		
18	946173	2	Flange screw		
19	948645	2	Flange lock nut		
20	976944	2	Washer		
21	859587	1	Baffle plate		
22	469483	2	Sealing ring		
23	965217	2	Flange screw		
24	942385	2	Disc spring		
25	946440	2	Flange screw		
26	3583865	1	Sump		(861152)
27	943585	1	Plug		
28	861250	1	Gasket		
29	946440	26	Flange screw		
30	3581631	1	Exhaust pipe		
31	846007	1	Tube		
32	843533	2	Rubber cushion		
33	943585	1	Plug		
34	3581715	1	Tube		
35	843533	1	Rubber cushion		
36	861099	1	Tube		
37	861087	1	Dipstick		
38	960155	1	• O-ring		
39	949746	2	Clamp		(946834)
40		2	Nut	3045	
41		1	Stud	3045	
42	955893	1	Washer		
43	948746	1	Flange screw		