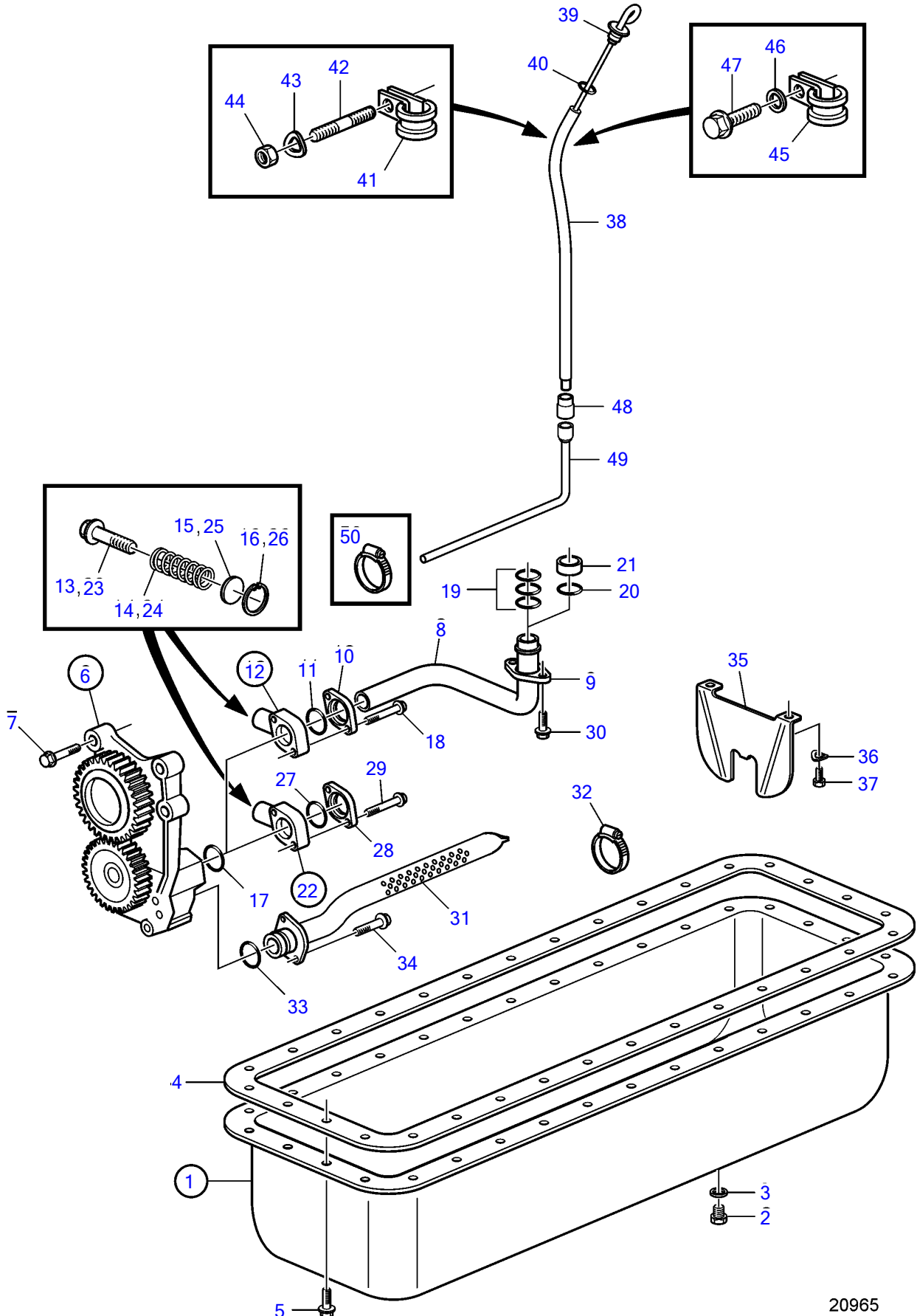


KAD43P-A, KAMD43P-A



20965

KAD43P-A, KAMD43P-A

REF	PART NO.	QTY	DESCRIPTION	SEE SEC.	NOTES
1	861151	1	Sump		
2	948187	1	Plug		Alt
3	18818	1	Gasket		Alt
4	861251	1	Gasket		
5	946440	32	Flange screw		
6	860721	1	Oil pump		
			•	528	
7	948217	4	Flange screw		
8	860821	1	Delivery pipe		
9	1542248	1	Flange		
10	3581206	1	Flange		
11	1545271	1	Sealing ring		
13	471115	1	Reduction valve		
14	1542257	1	Spring		
15	948343	1	Disc		
16	914506	1	Snap ring		
17	469482	1	Sealing ring		
18	965184	2	Flange screw		L=100mm
19		3	Sealing ring		Earlier production with 3 gaskets have been replaced by 1 ea gasket 980936 plus 1 ea gasket 471956., Early type
20	976039	1	O-ring		Late type, Obsolete part
21	471956	1	Gasket		Late type
22	3581308	1	Reducing valve		
			• Bulletin 44-32	44-32-EN	Reduction Valve D31, 41, 42
			• Bulletin 44-32A	44-32A-EN	Reduction Valve D31, 41, 42
23	471115	1	• Reduction valve		
24	1542257	1	• Spring		
25	948343	1	• Disc		
26	914506	1	• Snap ring		
27	976039	1	O-ring		For 3581308, Obsolete part
28	3581206	1	Flange		
29	965183	2	Flange screw		L=90mm
30	946173	2	Flange screw		
31	861064	1	Suction pipe		
32	943473	1	Hose clamp		
33	469483	2	Sealing ring		
34	965217	2	Flange screw		
35	860999	1	Baffle plate		
36	942385	2	Disc spring		
37	946440	2	Flange screw		
38	861100	1	Tube		
39	861087	1	Dipstick		
40	960155	1	• O-ring		
45	949746	1	Clamp		
46	955893	1	Washer		
47	948746	1	Flange screw		(968855)
48	843533	1	Rubber cushion		
49	861083	1	Suction pipe		
50	943469	1	Hose clamp		