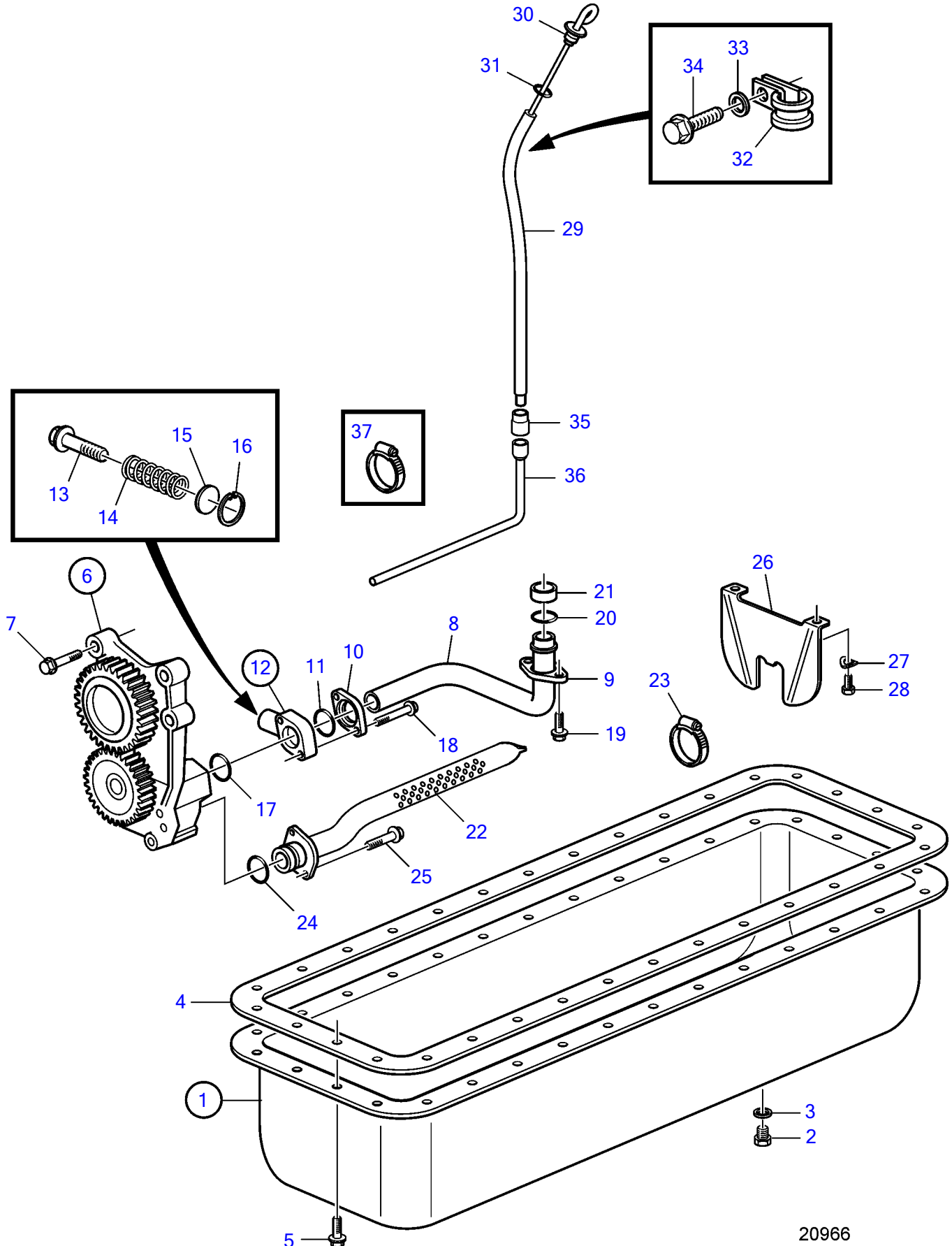


KAD44P-A, KAMD44P-A



KAD44P-A, KAMD44P-A

| REF | PART NO. | QTY | DESCRIPTION | SEE SEC. | NOTES |
|-----|----------|-----|-------------------|-----------|-----------------------------|
| 1 | 861151 | 1 | Sump | | |
| 2 | 948187 | 1 | Plug | | Alt |
| 3 | 18818 | 1 | Gasket | | Alt |
| 4 | 861251 | 1 | Gasket | | |
| 5 | 946440 | 32 | Flange screw | | L=16mm |
| 6 | 860721 | 1 | Oil pump | | |
| | | | . | | |
| | | | . | 528 | |
| 7 | 948217 | 4 | Flange screw | | |
| 8 | 860821 | 1 | Delivery pipe | | |
| 9 | 1542248 | 1 | Flange | | |
| 10 | 3581206 | 1 | Flange | | |
| 11 | 976039 | 1 | O-ring | | Obsolete part |
| 12 | 3581308 | 1 | Reducing valve | | |
| | | | • Bulletin 44-32 | 44-32-EN | Reduction Valve D31, 41, 42 |
| | | | • Bulletin 44-32A | 44-32A-EN | Reduction Valve D31, 41, 42 |
| 13 | 471115 | 1 | • Reduction valve | | |
| 14 | 1542257 | 1 | • Spring | | |
| 15 | 948343 | 1 | • Disc | | |
| 16 | 914506 | 1 | • Snap ring | | |
| 17 | 469482 | 1 | Sealing ring | | |
| 18 | 965183 | 2 | Flange screw | | L=90mm |
| 19 | 946173 | 2 | Flange screw | | |
| 20 | 976039 | 1 | O-ring | | Obsolete part |
| 21 | 471956 | 1 | Gasket | | |
| 22 | 861064 | 1 | Suction pipe | | |
| 23 | 943473 | 1 | Hose clamp | | |
| 24 | 469483 | 2 | Sealing ring | | |
| 25 | 965217 | 2 | Flange screw | | |
| 26 | 860999 | 1 | Baffle plate | | |
| 27 | 942385 | 2 | Disc spring | | |
| 28 | 946440 | 2 | Flange screw | | |
| 29 | 861100 | 1 | Tube | | |
| 30 | 861087 | 1 | Dipstick | | |
| 31 | 960155 | 1 | • O-ring | | |
| 32 | 949746 | 1 | Clamp | | |
| 33 | 955893 | 1 | Washer | | |
| 34 | 948746 | 1 | Flange screw | | (968855) |
| 35 | 843533 | 1 | Rubber cushion | | |
| 36 | 861083 | 1 | Suction pipe | | |
| 37 | 943469 | 1 | Hose clamp | | |