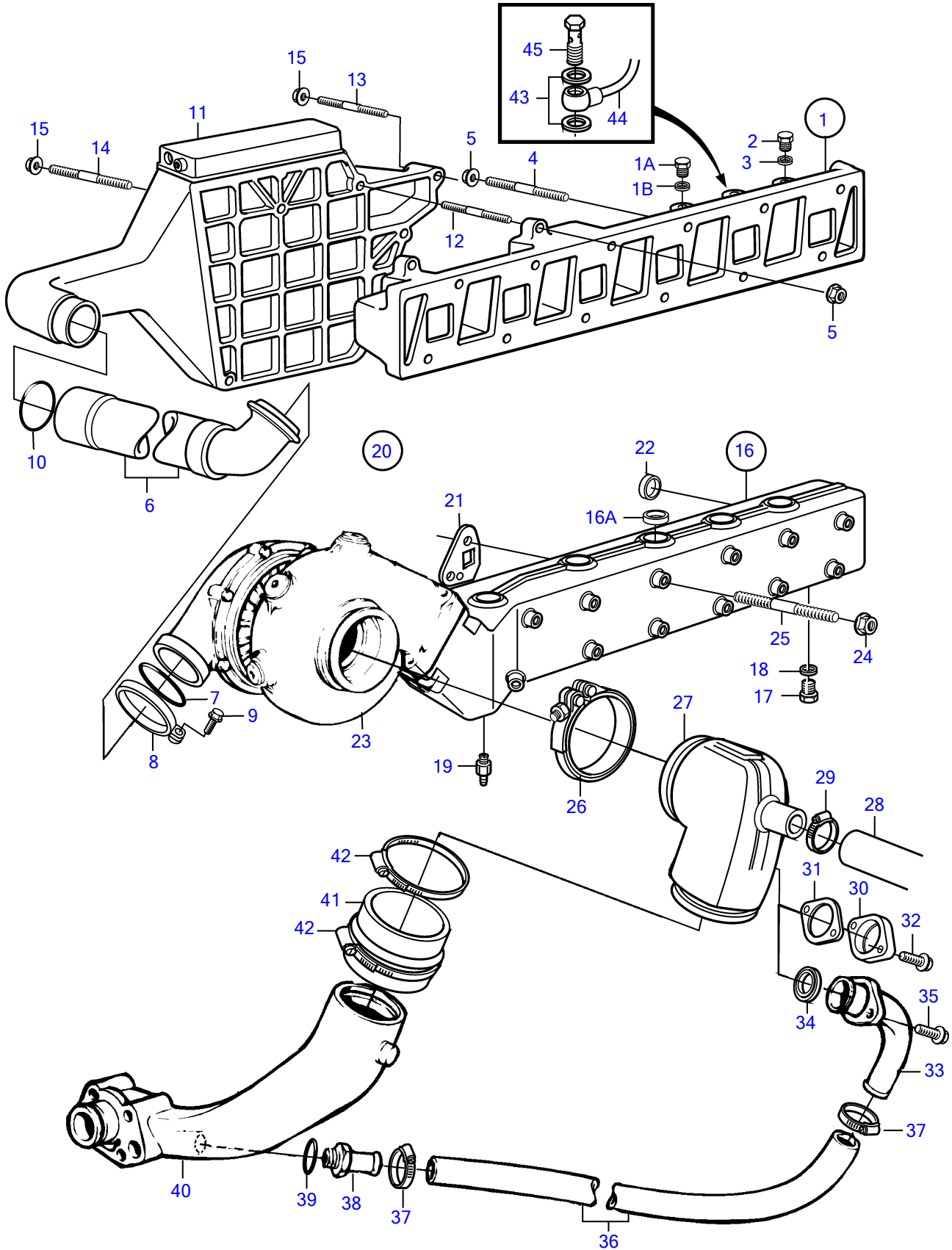


KAMD44P-A, KAMD44P-B, KAMD44P-C



KAMD44P-A, KAMD44P-B, KAMD44P-C

REF	PART NO.	QTY	DESCRIPTION	SEE SEC.	NOTES
1	861730	1	Inlet pipe		
1A	960634	3	• Plug		
1B	947627	3	• Gasket		
2	960631	1	Plug		
3	11996	1	Gasket		
4	980226	8	Stud		L=50mm
	980227	2	Stud		L=110mm
5	945408	10	Flange nut		
6	838693	1	Connection pipe		
7	967944	1	O-ring		
8	838864	1	V-band clamp		
9	947542	1	Flange screw		
10	864723	1	Sealing ring		
11		1	Intercooler		
12	953049	2	Stud		L=50mm
13	980227	1	Stud		L=110mm
14	981440	1	Stud		L=185mm
15	945408	4	Flange nut		
16	877067	1	Exhaust pipe		Replaced by 3581406
	3581406	1	• Exhaust pipe		
16A	946780	11	• Cap plug		
17	960632	1	• Plug		For engines with temp. sensor mounted on thermostat housing., M18x12
	960631	1	• Plug		M16x12
18	11998	1	• Gasket		18x22
	11996	1	• Gasket		16x22
19	949918	1	Shut-off cock		
20	876144	3	Gasket kit		
21	838673	2	• Gasket		Repl by 876144
22	838766	1	Sealing ring		
23		1	Turbo		
24	971095	12	Flange nut		
25	953001	2	Stud		L=120mm
	953002	5	Stud		L=125mm
	953003	2	Stud		L=130mm
	953005	1	Stud		L=140mm
	17378	1	Stud		L=170mm
26	842993	1	V-band clamp		
27	861289	1	Exhaust riser		
28	861341	1	Hose		Heat exchanger-exhaust riser.
29	943477	1	Hose clamp		
30	844093	1	Flange		
31	859002	1	Gasket		
32	946544	2	Flange screw		
43	947620	2	Gasket		
44	3581375	1	Air hose	3025	
45	74033	1	Hollow screw		