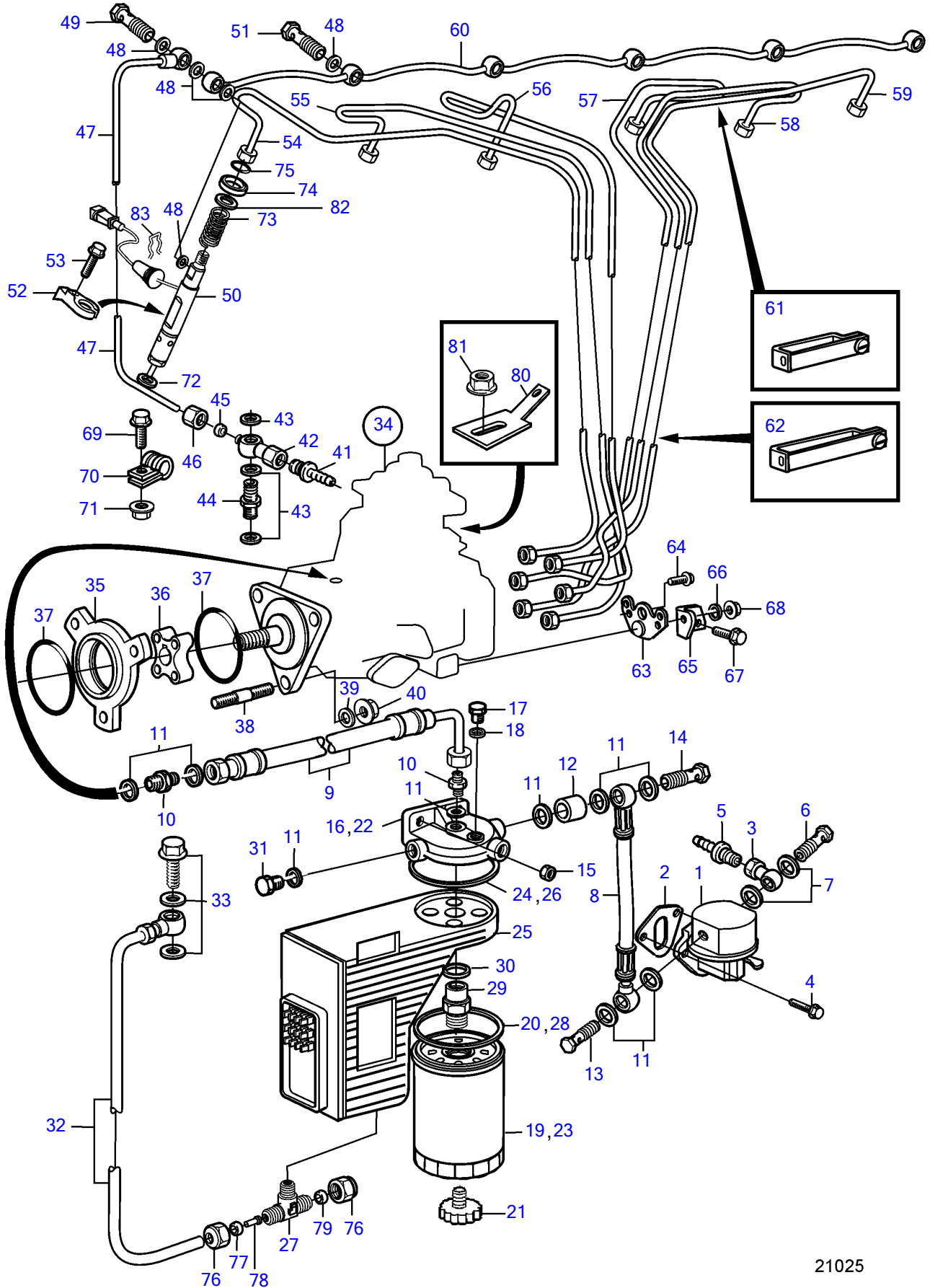


KAD44P-A, KAMD44P-A



21025

KAD44P-A, KAMD44P-A

| REF | PART NO. | QTY | DESCRIPTION | SEE SEC. | NOTES |
|-----|-----------|-----|-----------------------------|--------------|---|
| 1 | 3582310 | 1 | Feed pump | | (860320) |
| 2 | 3501530 | 1 | Gasket | | |
| 3 | 861079 | 1 | Banjo nipple | | |
| 4 | 946173 | 1 | Flange screw | | L=20mm |
| | 946470 | 1 | Flange screw | | L=35mm |
| 5 | 3825000 | 1 | Hose nipple | | (834781) |
| 6 | 969299 | 1 | Hollow screw | | |
| 7 | 11994 | 2 | Gasket | | |
| 8 | 3582708 | 1 | Fuel hose | | (3581716) |
| 9 | 3582707 | 1 | Fuel hose | | (3581373) |
| 10 | 190132 | 2 | Nipple | | |
| 11 | 11994 | 8 | Gasket | | |
| 12 | (3581717) | 1 | Spacer sleeve | | Obsolete part |
| 13 | 969299 | 1 | Hollow screw | | |
| 14 | 947975 | 1 | Hollow screw | | |
| 15 | 971095 | 2 | Flange nut | | |
| 16 | 3581542 | 1 | Fuel filter | | Repl by 3588380 |
| 17 | 843956 | 1 | • Plug | | |
| 18 | 25534 | 1 | • Gasket | | |
| 19 | 860874 | 1 | • Fuel filter | | Repl by 3588378 |
| 20 | 3582285 | 1 | • • Sealing ring | | |
| 21 | 838594 | 1 | • • Screw | | |
| 22 | 3588380 | 1 | Fuel filter | | |
| | | | • | | |
| | | | • | 7765 | |
| 23 | 3588378 | 1 | • Fuel filter | | |
| | 3840335 | 1 | • Fuel filter | | |
| 24 | 6638088 | 1 | • • Gasket | | |
| 25 | 874040 | 1 | Control unit | | Kamd |
| | | | • Bulletin P-28-4-10 | P-28-4-10-EN | ECU and Software Related Changes |
| | | | • Bulletin p-28-4-16 | p-28-4-16-EN | New Order Routine for Electronic Control Units for EDC1 Kad |
| 25 | 874081 | 1 | Control unit | | Kad |
| | | | • Bulletin p-28-4-16 | p-28-4-16-EN | New Order Routine for Electronic Control Units for EDC1 |
| 26 | 6638088 | 1 | • Gasket | | |
| 27 | 946082 | 1 | • T-nipple | | |
| 28 | 3582285 | 1 | • Sealing ring | | |
| 29 | 3835801 | 1 | Nipple | | (3825333) |
| 30 | 955904 | 1 | Washer | | |
| 31 | 960629 | 1 | Plug | | |
| 32 | 3581375 | 1 | Air hose | | |
| 33 | | 1 | Connector | 2974 | |
| 34 | (3581334) | 1 | Injection pump | | Obsolete part |
| | | | • parts not sold separately | | |
| | | | • parts not sold separately | | |
| 35 | 3581393 | 1 | Spacer flange | | |
| 36 | 859601 | 1 | Hub | | |
| 37 | 968971 | 2 | O-ring | | |
| 38 | 953053 | 3 | Stud | | |
| 39 | 191172 | 3 | Washer | | |
| 40 | 945408 | 2 | Flange nut | | |
| 41 | | 1 | Hexagon nut | | |
| 42 | 3825000 | 1 | Hose nipple | | (834781) |
| | 861080 | 1 | Banjo nipple | | |
| 43 | 11994 | 3 | Gasket | | |
| 44 | | 1 | Nipple | | Included in fuel injection pump. |
| 45 | 956966 | 1 | Ferrule | | |
| 46 | 956980 | 1 | Fitting nut | | |
| 47 | 861723 | 1 | Return line | | |
| 48 | 981183 | 13 | Gasket | | |
| 49 | 990036 | 1 | Hollow screw | | |
| 50 | 861725 | 6 | Injector | | E.U=3803373 |
| | 3803373 | 6 | Injector, exch | | E.U=3803373 |
| | | | • parts not sold separately | | |

KAD44P-A, KAMD44P-A

| REF | PART NO. | QTY | DESCRIPTION | SEE SEC. | NOTES |
|-----|----------|-----|-----------------------------|----------|------------------|
| | | | • parts not sold separately | | |
| 51 | 243487 | 5 | Hollow screw | | |
| 52 | 3581376 | 6 | Yoke | | |
| 53 | 946470 | 6 | Flange screw | | |
| 54 | 3580985 | 1 | Delivery pipe | | Cyl no 1 |
| 55 | 3580986 | 1 | Delivery pipe | | Cyl no 2 |
| 56 | 3580987 | 1 | Delivery pipe | | Cyl no 3 |
| 57 | 3580988 | 1 | Delivery pipe | | Cyl no 4 |
| 58 | 3580989 | 1 | Delivery pipe | | Cyl no 5 |
| 59 | 3580990 | 1 | Delivery pipe | | Cyl no 6 |
| 60 | 861722 | 1 | Leak-off line | | Obsolete part |
| 61 | 8194327 | 4 | Clamp | | 2-pipe |
| 62 | 3582372 | 2 | Clamp | | 6-pipe (8194331) |
| 63 | 3583982 | 1 | Bracket | | |
| 64 | 947542 | 3 | Flange screw | | |
| 65 | 3583981 | 1 | Bracket | | |
| 66 | 191172 | 1 | Washer | | |
| 67 | 946440 | 2 | Flange screw | | |
| 68 | 948645 | 1 | Flange lock nut | | |
| 69 | 946544 | 1 | Flange screw | | |
| 70 | 121563 | 1 | Clamp | | |
| 71 | 945407 | 1 | Flange nut | | |
| 72 | 976018 | 6 | O-ring | | |
| 73 | 3580933 | 6 | Spring | | For 861725 |
| 74 | 3580934 | 6 | Washer | | For 861725 |
| 75 | 944988 | 6 | O-ring | | |
| 76 | 954356 | 2 | Fitting nut | | |
| 77 | 954364 | 1 | Sleeve | | |
| 78 | 944717 | 1 | Support sleeve | | |
| 79 | 943006 | 1 | Plug | | |
| 80 | 944485 | 1 | Cable terminal | | |
| 81 | 965483 | 1 | Flange nut | | |
| 82 | 982122 | 1 | Washer | | |
| 83 | 3581947 | 1 | Lock spring | | |