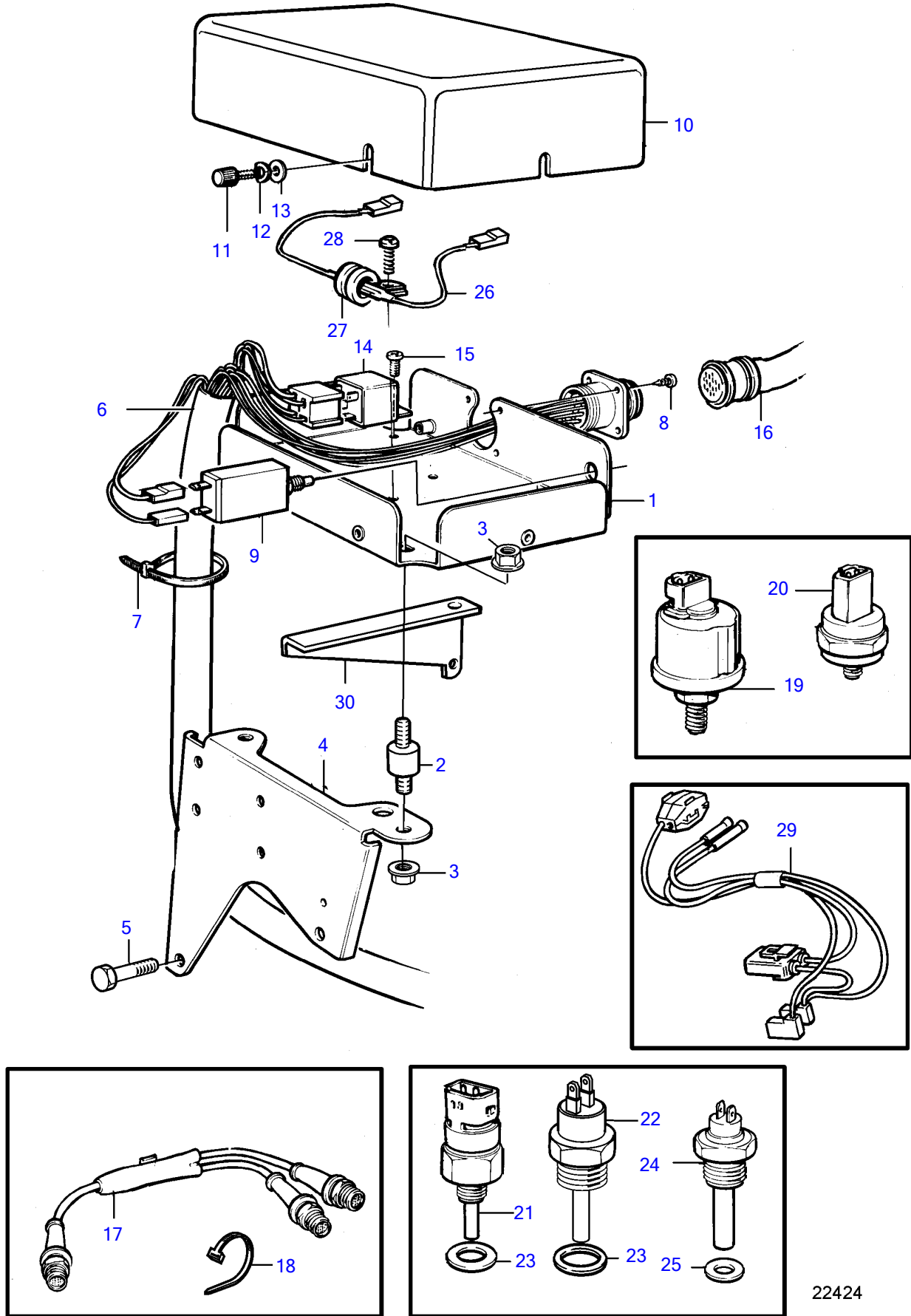


TAMD42WJ-A



Upd:2012-02-13

22424

7738870-30-1956

TAMD42WJ-A

REF	PART NO.	QTY	DESCRIPTION	SEE SEC.	NOTES
1	860417	1	Bracket		Repl by 3581402
	3581402	1	Bracket		
2	1348141	3	Absorber		For 3581402
3	945407	6	Flange nut		
4	3580668	1	Bracket		
	3581530	1	Bracket		For 3581402
5	947760	1	Flange screw		L=40mm
	948217	1	Flange screw		L=45mm
6	873552	1	Wiring harness		SN-2204215439
	873743	1	Wiring harness		SN2204215440-
7	948211	X	Cable tie		
8	955119	4	Cross recessed screw		
9	966689	2	Fuse		
10	(860779)	1	Cover		Obsolete part
11	846736	3	Lock screw		
12	941904	3	Spring washer		
13	960137	3	Washer		
14	872300	1	Relay		Replaced by relay 1324492 and mounting instruction., 12V 30A, SN-2204215439
	1324492	1	Relay		Nb! changed polarity. see mounting instruction., 12V 10/20A, SN2204215440-
	860339	1	Relay		Replaced by relay 873740., 12V 50A, SN-2204215439
	873740	1	Relay		12V 40A, SN2204215440-
15	968476	2	Flange screw		
16	846648	X	Extension cable'verl		L=3.0m
	846649	X	Extension cable'verl		L=5.0m
	846650	X	Extension cable'verl		L=7.0m
	873838	X	Extension cable'verl		L=9.0m
	873839	X	Extension cable'verl		L=11.0m
17	1140598	1	Distributing contact		For double steering positions.
18	948211	3	Cable tie		
19	866835	1	Sensor, oil-engine		0-10BAR
			• Bulletin P-38-6-1	P-38-6-1-EN	Vibration Damping Kit
19	866836	1	Sensor, oil-engine		For double steering positions., Alt,0-10bar
20	863169	1	Pressure monitor, oil pressure		0,7bar
21	862250	1	Thermo monitor, coolant water temp.		97°C, for 873552
22	873877	1	Thermo monitor, coolant water temp.		97°C, for 873743
23	957181	1	Gasket		
24	843325	1	Temperature sensor, coolant water temp.		Max 120°C
	840074	1	Temperature sensor, coolant water temp.		For double steering positions., Alt, 120°C
25	957181	1	Gasket		
26	873717	1	Resistor		
27	952627	1	Clamp		
28	968476	1	Flange screw		(955138)
29	873543	1	Cable kit		Cable kit 873543 is used as adapter between cable harness 873743 and thermo monitor 862250.
30	3581444	1	Bracket		For 3581402