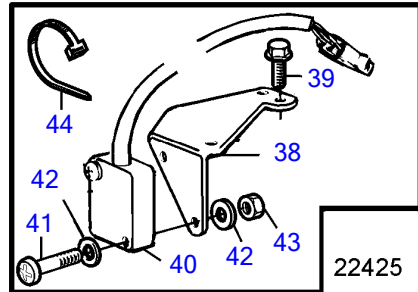
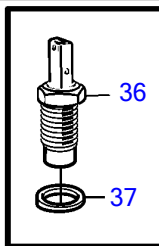
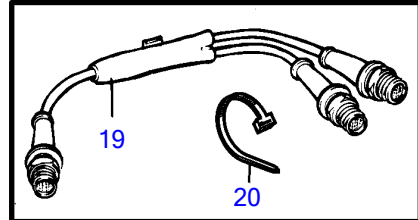
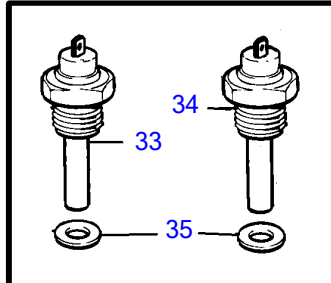
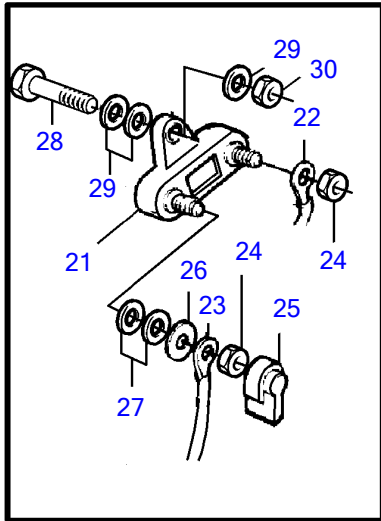
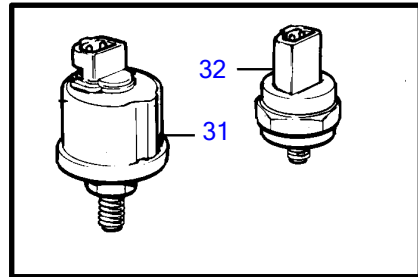
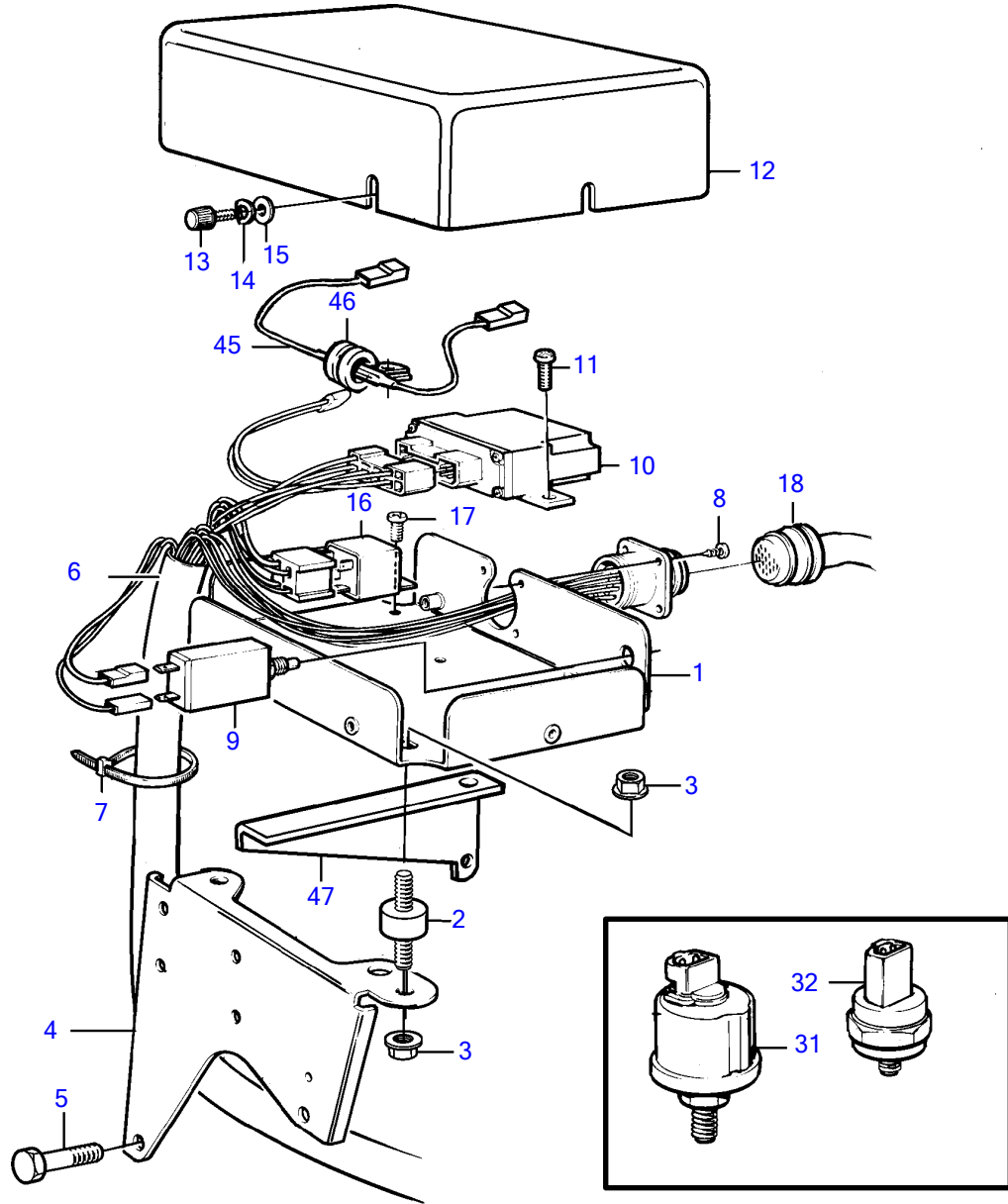


KAMD43P-A



22425

## KAMD43P-A

REF	PART NO.	QTY	DESCRIPTION	SEE SEC.	NOTES
1	3581402	1	Bracket		
2	1348141	3	Absorber		
3	945407	6	Flange nut		
4	3581530	1	Bracket		
5	947760	1	Flange screw		L=40mm
	948217	1	Flange screw		L=45mm
6	873742	1	Wiring harness		
7	948211	X	Cable tie		
8	955119	4	Cross recessed screw		
9	966689	1	Fuse		
10	881797	1	Rotation speed relay, rpm		(872616)
11	968476	2	Flange screw		
12	(860779)	1	Cover		Obsolete part
13	846736	3	Lock screw		
14	941904	3	Spring washer		
15	960137	3	Washer		
16	873740	1	Relay		12V 40A
17	968476	1	Flange screw		
18	846648	X	Extension cable\verl		L=3.0m
	846649	X	Extension cable\verl		L=5.0m
	846650	X	Extension cable\verl		L=7.0m
	873838	X	Extension cable\verl		L=9.0m
	873839	X	Extension cable\verl		L=11.0m
19	1140598	1	Distributing contact		For double steering positions.
20	948211	3	Cable tie		
23					See group 44
31	866835	1	Sensor, oil-engine		0-10BAR
			• Bulletin P-38-6-1	P-38-6-1-EN	Vibration Damping Kit
31	866836	1	Sensor, oil-engine		For double steering positions., Alt,0-10bar
32	863169	1	Pressure monitor, oil-pressure		0,7bar
33	873066	1	Thermo monitor, coolant water temp.		97°C
34	827151	1	Temperature sensor, coolant water temp.		40-120°C
	840074	1	Temperature sensor, coolant water temp.		For double steering positions., Alt, 120°C
35	957181	2	Gasket		
36	862251	1	Tachometer sensor		For revolution relay.
37	957181	1	Gasket		
38	860970	1	Bracket		
39	946544	2	Flange screw		
40	874498	1	Position sensor, rpm		(872597)
41	956050	2	Cross recessed screw		
42	955890	4	Washer		
43	966650	2	Lock nut		
44	948211	X	Cable tie		
45	873717	1	Resistor		Late type
46	952627	1	Clamp		
47	3581444	1	Bracket		