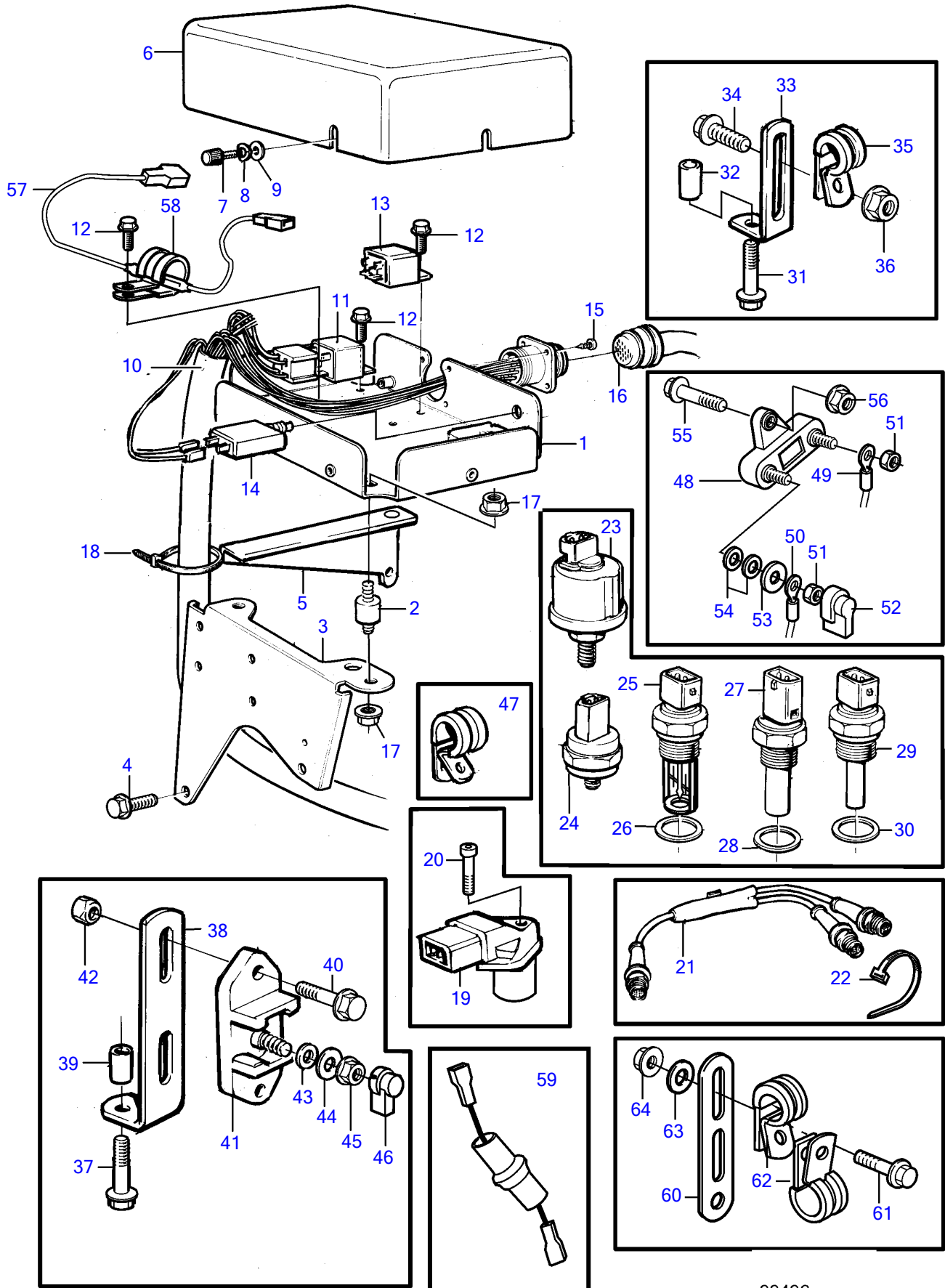


KAMD44P-A



Upd:2012-02-13

22426

22426

7738870-30-3033

KAMD44P-A

REF	PART NO.	QTY	DESCRIPTION	SEE SEC.	NOTES
1	3581402	1	Bracket		
2	1348141	3	Absorber		
3	3581530	1	Bracket		
4	947760	1	Flange screw		L=40mm
	948217	1	Flange screw		L=45mm
5	3581444	1	Bracket		
6	(860779)	1	Cover		Obsolete part
7	846736	3	Lock screw		
8	941904	3	Spring washer		
9	960137	3	Washer		
10	873749	1	Wiring harness		
11	873740	1	Relay		
12	968476	5	Flange screw		
13	1324492	3	Relay		
14	966689	2	Fuse		8A
15	955119	4	Cross recessed screw		
16	846648	X	Extension cable'verl		L=3.0m
	846649	X	Extension cable'verl		L=5.0m
	846650	X	Extension cable'verl		L=7.0m
	873838	X	Extension cable'verl		L=9.0m
	873839	X	Extension cable'verl		L=11.0m
17	945407	6	Flange nut		
18	948211	X	Cable tie		
19	3515093	1	Sensor, rpm		
20	963684	1	Hex. socket screw		
21	1140598	1	Distributing contact		For double steering positions.
22	948211	3	Cable tie		
23	866835	1	Sensor, oil-engine • Bulletin P-38-6-1	P-38-6-1-EN	0-10BAR Vibration Damping Kit
23	866836	1	Sensor, oil-engine		For double steering positions., Alt,0-10bar
24	863169	1	Pressure monitor, oil-pressure		0,7bar
25	8141474	1	Temperature sensor, air inlet		
26	947624	1	Gasket		
27	862154	1	Temperature sensor, coolant water		120°C
	862567	1	Temperature sensor, coolant water		For double steering positions., Alt
28	11998	1	Gasket		
29	1624368	1	Sensor, coolant water		EDC
30	11996	1	Gasket		
31	946671	1	Flange screw		
32	843075	1	Spacer sleeve		
33	965558	2	Bracket		
34	946544	2	Flange screw		
35	952635	2	Clamp		
36	945407	2	Flange nut		
37	946671	2	Flange screw		
38	965558	2	Bracket		
39	843075	2	Spacer sleeve		
40	965200	4	Flange screw		
41	6776926	2	Terminal block		
42	949874	4	Flange lock nut		
43	955893	5	Washer		
44	960140	1	Washer		Pos
45	945407	2	Flange nut		
46	(1234326)	1	Protecting casing		Pos, Obsolete part
47	949746	1	Clamp, alternator		(946834)
50					See group 44
57	873828	1	Resistor		
58	952627	1	Clamp		
59	1518870	1	Diode		
60	965541	1	Bracket		
61	946544	1	Flange screw		
62	952627	2	Clamp		
63	955893	1	Washer		

7738870-30-3033

22426

Upd:2012-02-13

KAMD44P-A

REF	PART NO.	QTY	DESCRIPTION	SEE SEC.	NOTES
64	945407	1	Flange nut		