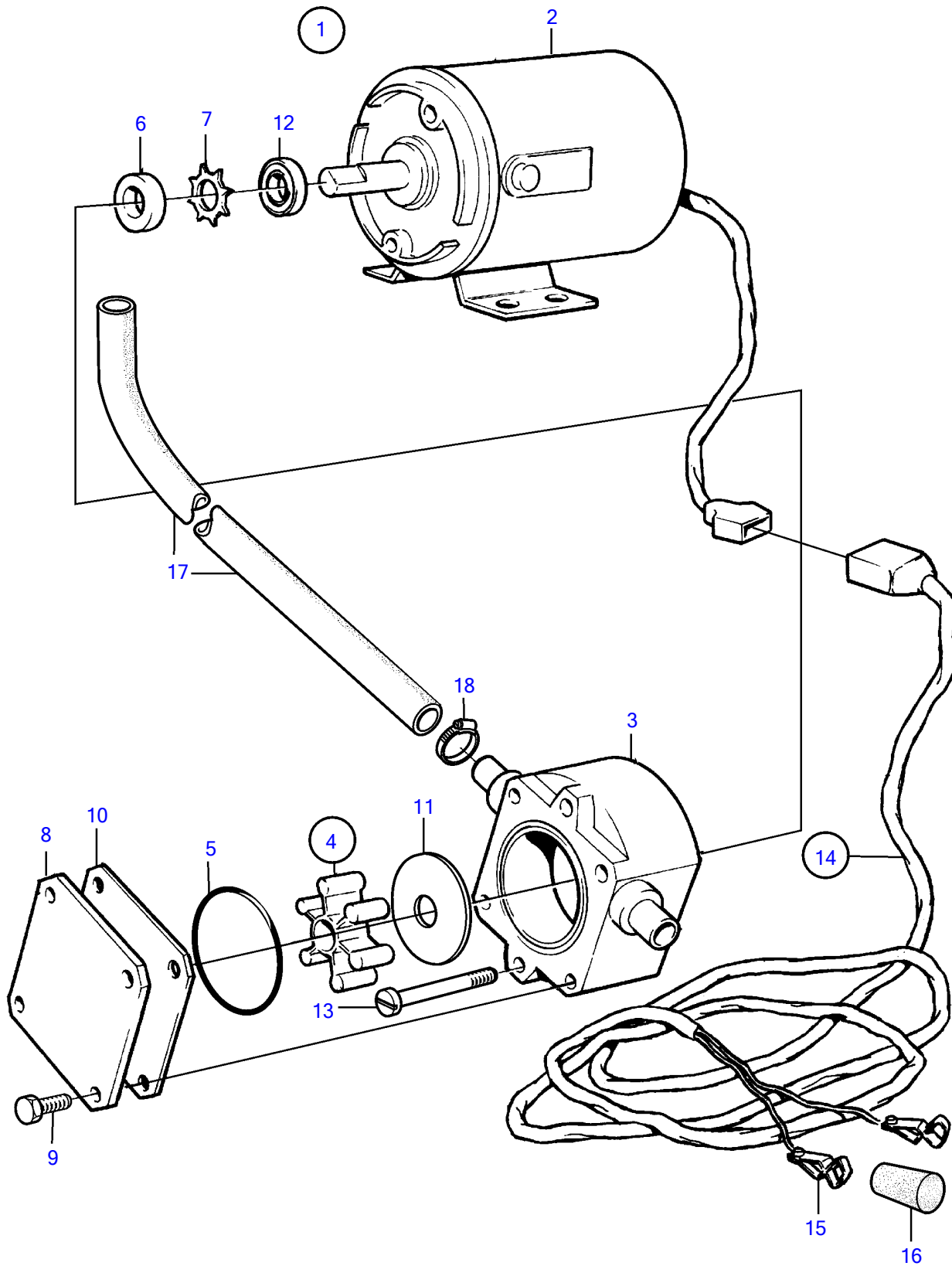


KAD32P, KAD32P-A, TAMD42WJ-A, KAD43P, KAD43P-A, KAMD43P, KAMD43P-A, KAD44P, KAD44P-A, KAD44P-B, KAD44P-C, KAMD44P, KAMD44P-A, KAMD44P-B, KAMD44P-C, KAD300, , KAMD300, KAMD300-A



KAD32P, KAD32P-A, TAMD42WJ-A, KAD43P, KAD43P-A, KAMD43P, KAMD43P-A, KAD44P, KAD44P-A, KAD44P-B, KAD44P-C, KAMD44P, KAMD44P-A, KAMD44P-B, KAMD44P-C, KAD300, , KAMD300, KAMD300-A

REF	PART NO.	QTY	DESCRIPTION	NOTES
1	843114	1	Oil bilge pump	12V
2	842855	1	• Oil bilge pump	
3	(844015)	1	• • Pump housing	Obsolete part
4	844022	1	• • Impeller kit	
5		1	• • • O-ring	
6		1	• • • Sealing ring	
7		1	• • • Lock ring	
8	844018	1	• • Cardboard tube	
9	844021	4	• • Screw	
10	844017	1	• • Wear washer	
11	844016	1	• • Wear washer	
12	(844019)	1	• • Deflector ring	Obsolete part
13	969518	2	• • 6 point socket screw	
14	843113	1	• Cable trunk	
15	844280	2	• • Clip	
16	(844279)	1	• • Isolation	Black, Obsolete part
	(844278)	1	• • Isolation	Obsolete part, Red
17	943707	X	• Hose	
18	943471	3	• Hose clamp	