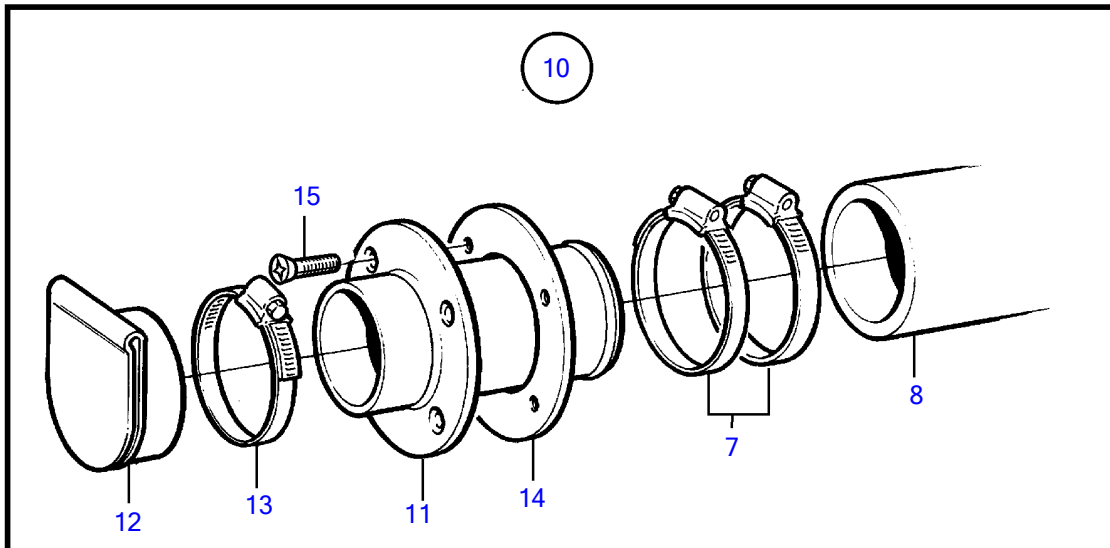
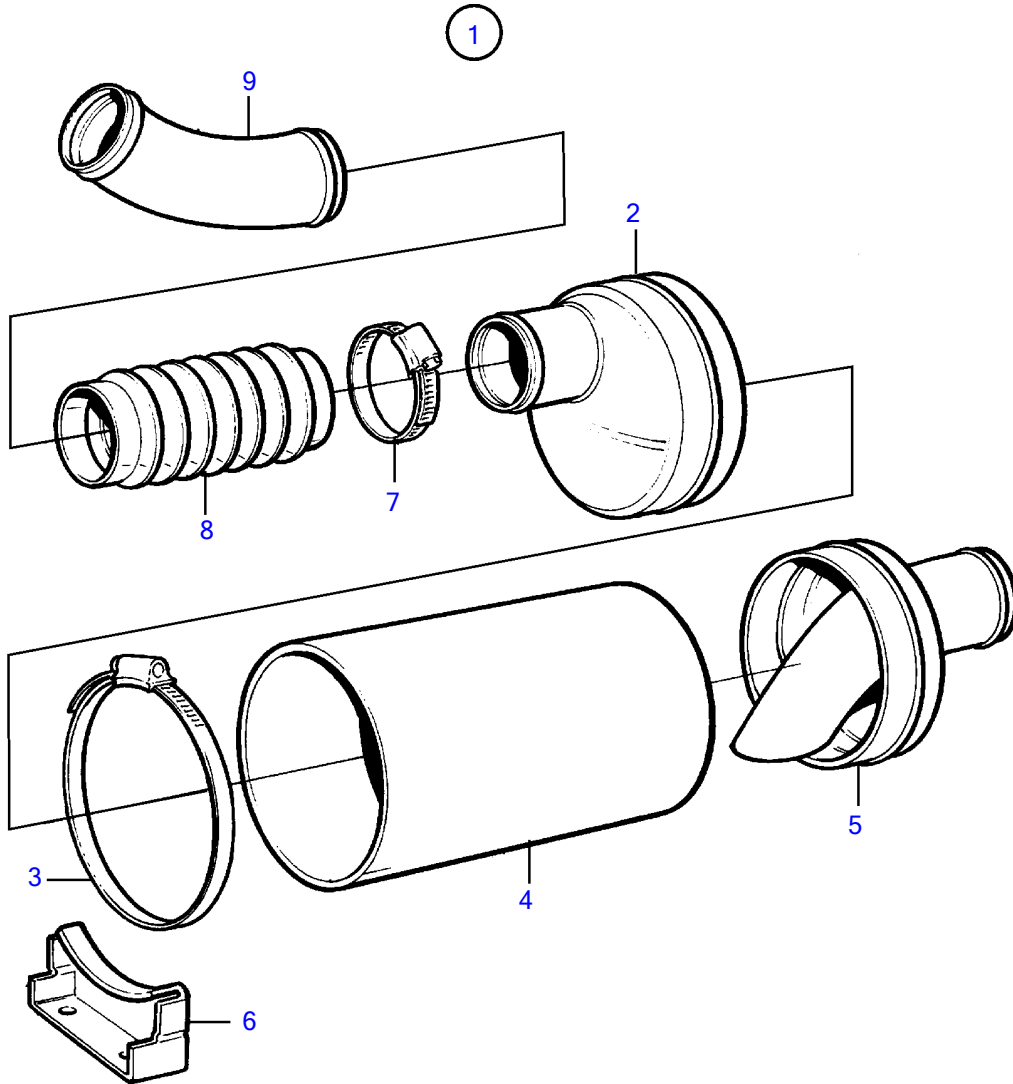


KAMD43P-A, KAMD44P-A, KAMD44P-B, KAMD44P-C, KAMD300-A



KAMD43P-A, KAMD44P-A, KAMD44P-B, KAMD44P-C, KAMD300-A

REF	PART NO.	QTY	DESCRIPTION	NOTES
1	854760	1	Kit	
2		1	• End plate	
3	949000	4	• Hose clamp	
4	842766	1	• Exhaust hose	
5		1	• End plate	
6	842767	2	• Bracket	
7	853012	X	Hose clamp	
8	1140668	X	Exhaust hose	(854763)
9	872017	1	Riser	45°
	872024	1	Riser	90°
10	854754	1	Kit	
11		1	• Grommet	
12	854481	1	• Exhaust flap	
13	853012	1	• Hose clamp	
14	854490	1	• Gasket	
15	961348	4	• Cross recessed screw	