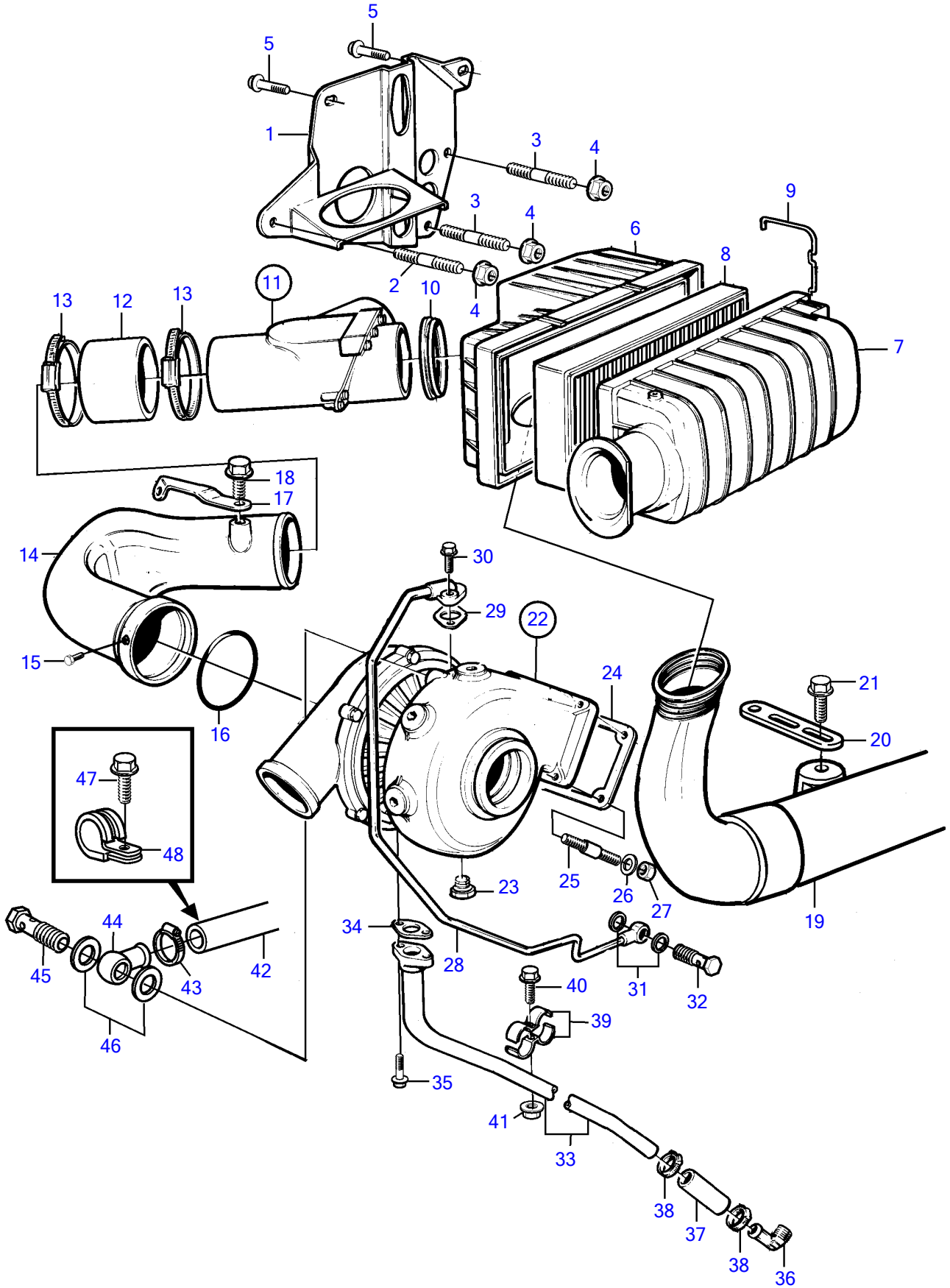


KAD44P-A, KAD44P-B, KAD44P-C



KAD44P-A, KAD44P-B, KAD44P-C

REF	PART NO.	QTY	DESCRIPTION	NOTES
1	860397	1	Bracket	
2	953005	1	Stud	L=140mm
3	953002	2	Stud	L=125mm
4	971095	3	Flange nut	
5	946544	2	Flange screw	
6	877416	1	Air cleaner	(861435)
7	860798	1	• Cardboard tube	
8	876185	1	• Air filter insert	
9	860799	1	• Clip	
10	860504	1	Sealing ring	
11	3581019	1	Check valve	
12	861092	1	Hose	
13	872531	2	Hose clamp	
14	860401	1	Pipe	
15	941792	2	Hex. socket screw	
16	976044	1	O-ring	
17	860709	1	Bracket	
18	946934	1	Flange screw	
19	3581323	1	Muffler	Air filter-compressor.
20	965543	1	Bracket	
21	946025	1	Flange screw	
22	3802112	1	Turbocharger	
23	861551	1	Plug	
24	3582676	1	Gasket kit	(859111)
25	479972	4	Stud	
26	955895	4	Washer	
27	940183	4	Hexagon nut	
28	838869	1	Oil pressure pipe	
29	420641	1	Gasket	
30	945444	1	Flange screw	L=25mm
	946671	1	Flange screw	L=30mm
31	969011	2	Gasket	
32	25167	1	Hollow screw	
33	838820	1	Oil return pipe	
34	860105	1	Gasket	
35	945444	2	Flange screw	
36	983105	1	Hose nipple	(843879)
37	466328	1	Rubber hose	
38	943474	2	Hose clamp	
39	820851	2	Clamp	
40	946544	1	Flange screw	
41	945407	1	Flange nut	
42	942700	X	Hose	Expansion tank-Turbo., L=760mm
43	945652	2	Hose clamp	
44	858750	1	Banjo nipple	
45	969299	1	Hollow screw	
46	11994	2	Gasket	
47	967949	1	Flange screw	
48	952627	1	Clamp	