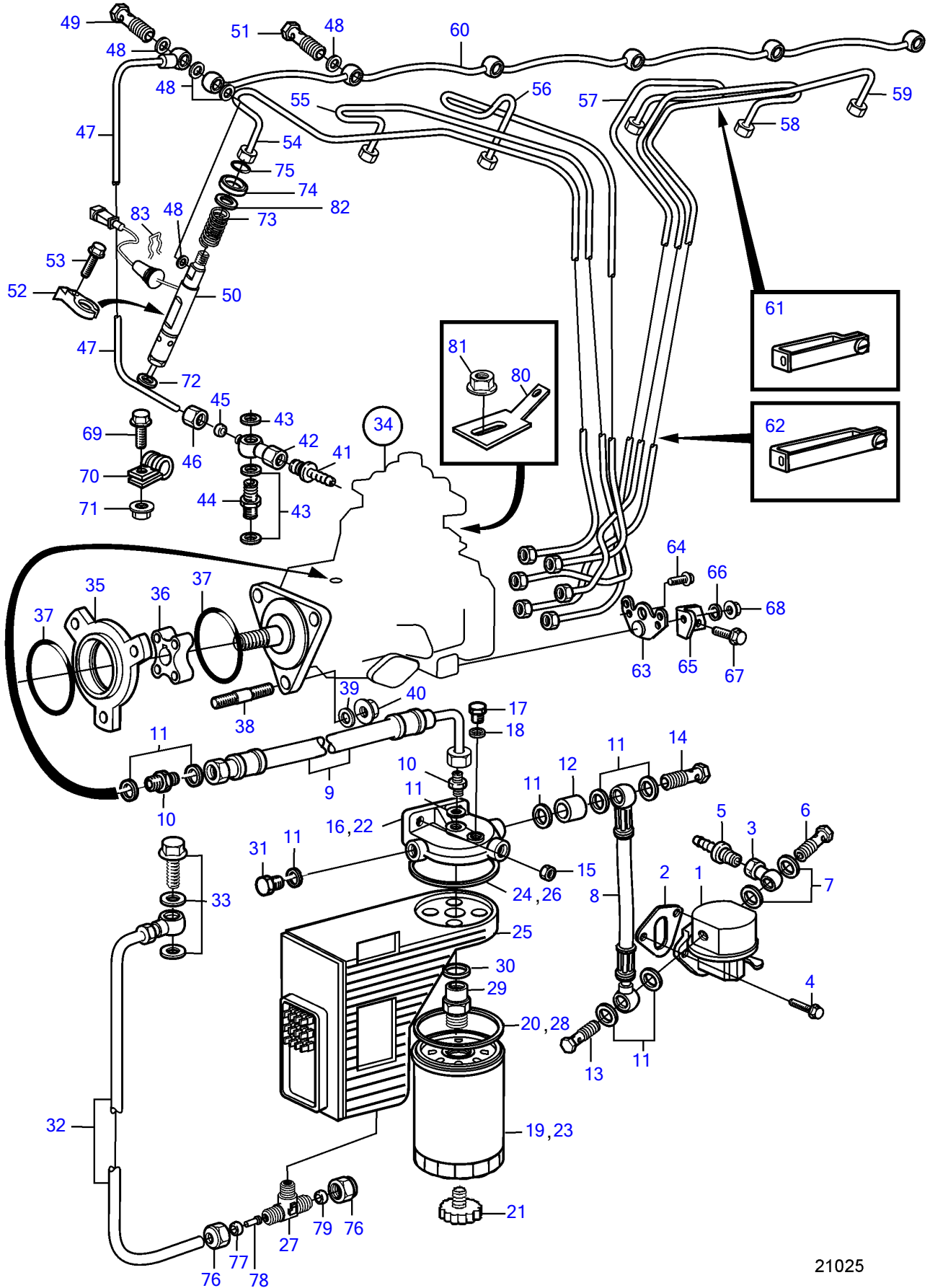


KAD44P-A, KAMD44P-A



KAD44P-A, KAMD44P-A

REF	PART NO.	QTY	DESCRIPTION	SEE SEC.	NOTES
1	3582310	1	Feed pump		(860320)
2	3501530	1	Gasket		
3	861079	1	Banjo nipple		
4	946173	1	Flange screw		L=20mm
	946470	1	Flange screw		L=35mm
5	3825000	1	Hose nipple		(834781)
6	969299	1	Hollow screw		
7	11994	2	Gasket		
8	3582708	1	Fuel hose		(3581716)
9	3582707	1	Fuel hose		(3581373)
10	190132	2	Nipple		
11	11994	8	Gasket		
12	(3581717)	1	Spacer sleeve		Obsolete part
13	969299	1	Hollow screw		
14	947975	1	Hollow screw		
15	971095	2	Flange nut		
16	3581542	1	Fuel filter		Repl by 3588380
17	843956	1	• Plug		
18	25534	1	• Gasket		
19	860874	1	• Fuel filter		Repl by 3588378
20	3582285	1	• • Sealing ring		
21	838594	1	• • Screw		
22	3588380	1	Fuel filter		
			•		
			•	7765	
23	3588378	1	• Fuel filter		
	3840335	1	• Fuel filter		
24	6638088	1	• • Gasket		
25	874040	1	Control unit		Kamd
			• Bulletin P-28-4-10	P-28-4-10-EN	ECU and Software Related Changes
			• Bulletin p-28-4-16	p-28-4-16-EN	New Order Routine for Electronic Control Units for EDC1
25	874081	1	Control unit		Kad
			• Bulletin p-28-4-16	p-28-4-16-EN	New Order Routine for Electronic Control Units for EDC1
26	6638088	1	• Gasket		
27	946082	1	• T-nipple		
28	3582285	1	• Sealing ring		
29	3835801	1	Nipple		(3825333)
30	955904	1	Washer		
31	960629	1	Plug		
32	3581375	1	Air hose		
33		1	Connector	2974	
34	(3581334)	1	Injection pump		Obsolete part
			• parts not sold separately		
			• parts not sold separately		
35	3581393	1	Spacer flange		
36	859601	1	Hub		
37	968971	2	O-ring		
38	953053	3	Stud		
39	191172	3	Washer		
40	945408	2	Flange nut		
41		1	Hexagon nut		
42	3825000	1	Hose nipple		(834781)
	861080	1	Banjo nipple		
43	11994	3	Gasket		
44		1	Nipple		Included in fuel injection pump.
45	956966	1	Ferrule		
46	956980	1	Fitting nut		
47	861723	1	Return line		
48	981183	13	Gasket		
49	990036	1	Hollow screw		
50	861725	6	Injector		E.U=3803373
	3803373	6	Injector, exch		E.U=3803373
			• parts not sold separately		

KAD44P-A, KAMD44P-A

REF	PART NO.	QTY	DESCRIPTION	SEE SEC.	NOTES
			• parts not sold separately		
51	243487	5	Hollow screw		
52	3581376	6	Yoke		
53	946470	6	Flange screw		
54	3580985	1	Delivery pipe		Cyl no 1
55	3580986	1	Delivery pipe		Cyl no 2
56	3580987	1	Delivery pipe		Cyl no 3
57	3580988	1	Delivery pipe		Cyl no 4
58	3580989	1	Delivery pipe		Cyl no 5
59	3580990	1	Delivery pipe		Cyl no 6
60	861722	1	Leak-off line		Obsolete part
61	8194327	4	Clamp		2-pipe
62	3582372	2	Clamp		6-pipe (8194331)
63	3583982	1	Bracket		
64	947542	3	Flange screw		
65	3583981	1	Bracket		
66	191172	1	Washer		
67	946440	2	Flange screw		
68	948645	1	Flange lock nut		
69	946544	1	Flange screw		
70	121563	1	Clamp		
71	945407	1	Flange nut		
72	976018	6	O-ring		
73	3580933	6	Spring		For 861725
74	3580934	6	Washer		For 861725
75	944988	6	O-ring		
76	954356	2	Fitting nut		
77	954364	1	Sleeve		
78	944717	1	Support sleeve		
79	943006	1	Plug		
80	944485	1	Cable terminal		
81	965483	1	Flange nut		
82	982122	1	Washer		
83	3581947	1	Lock spring		