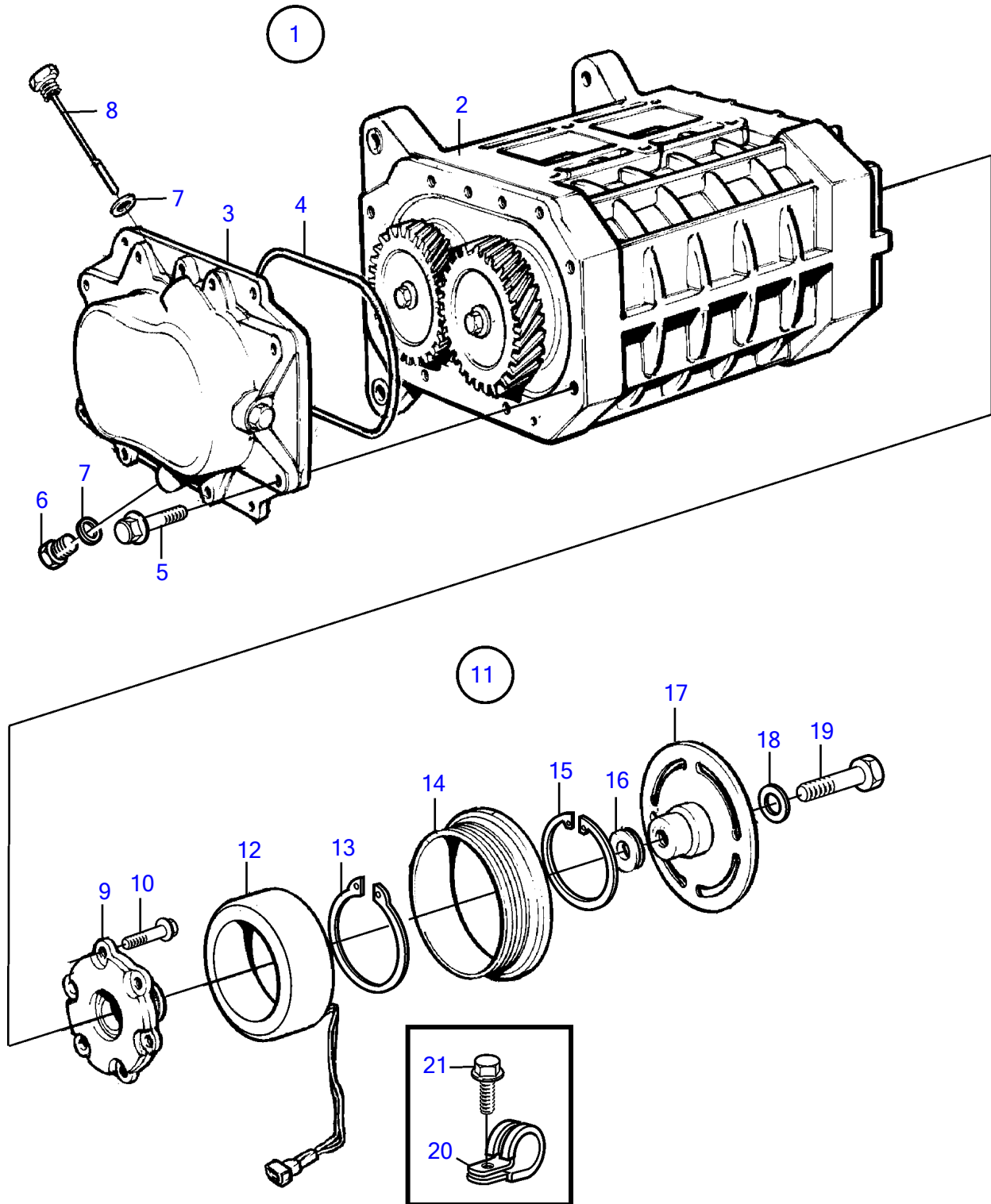


KAD32P-A, KAD43P-A, KAD44P-A, KAD44P-B, KAD44P-C, , KAMD300-A



KAD32P-A, KAD43P-A, KAD44P-A, KAD44P-B, KAD44P-C, , KAMD300-A

REF	PART NO.	QTY	DESCRIPTION	NOTES
1	3581061	1	Compressor	(860360)
	3803263	1	Compressor, exch, exch	(860360)
2		1	• Housing	
3		1	• Cover	
4	861028	1	• O-ring	Up to and including serial no, compressor, SN-91030200.
	861037	1	• O-ring	From serial no, compressor SN91040001-.
5	965212	8	• Flange screw	
6	861027	1	• Plug	
7	907132	2	• Gasket	
8	861026	1	• Oil dipstick	
9	3581722	1	• Spindle	SN-93040200
	3581723	1	• Spindle	SN93050001-
10	861025	6	• Screw	
11	3581724	1	• Solenoid clutch	(3581062), (860786)
12		1	• • Magnet	
13	914470	1	• • Snap ring	
14		1	• • Pulley	
15	861032	1	• • Lock ring	
16	861033	X	• • Spacer	TH=0,1mm
	861034	X	• • Spacer	TH=0,3mm
17		1	• • Companion flange	
18	861036	1	• • Washer	
19	861025	1	• • Screw	
20	861030	2	• • Clamp	
21		2	• Screw	

7738870-25-4853

18412

Upd:2012-02-13