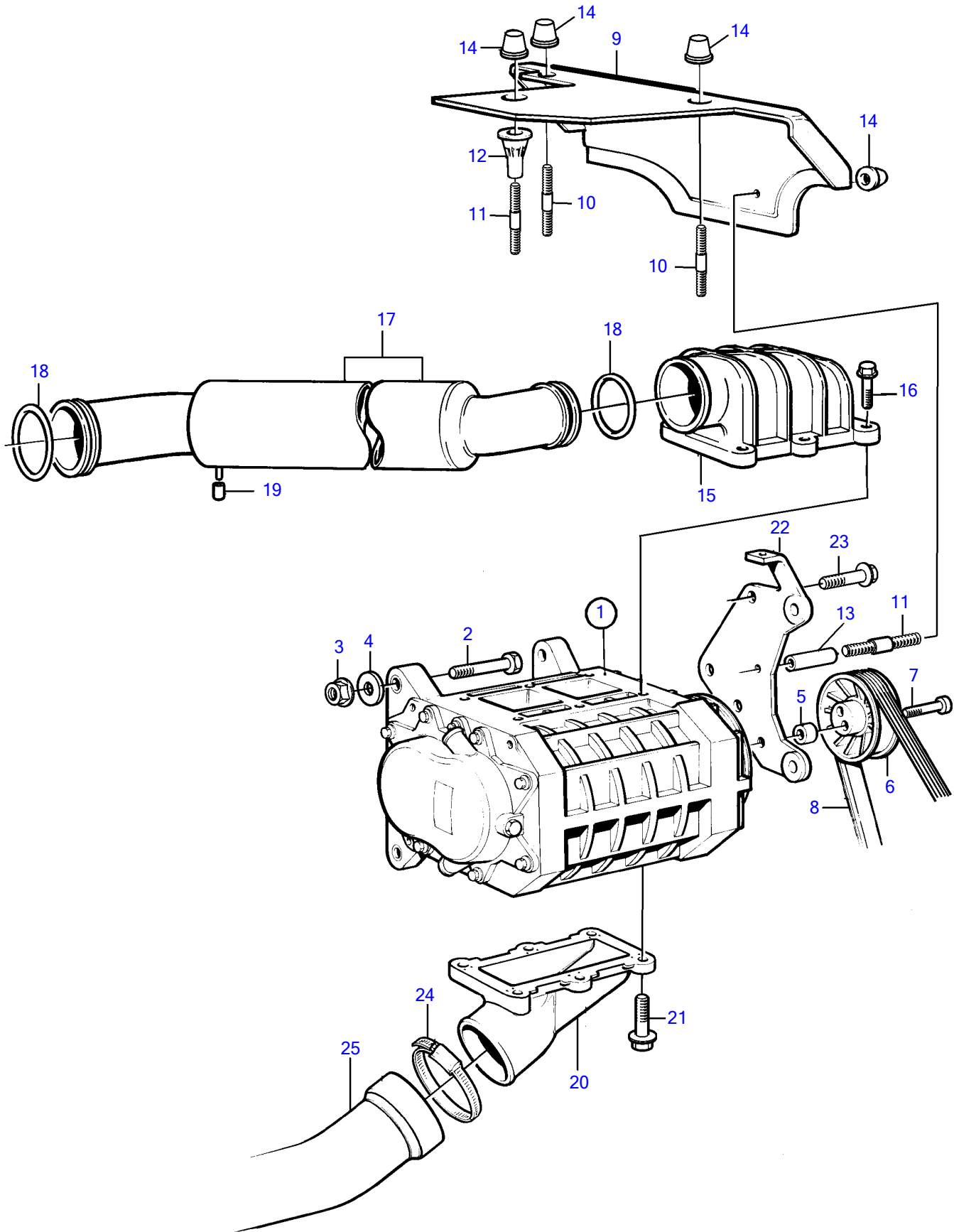


KAD44P-A, KAD44P-B, KAD44P-C, KAMD44P-A, KAMD44P-B, KAMD44P-C



KAD44P-A, KAD44P-B, KAD44P-C, KAMD44P-A, KAMD44P-B, KAMD44P-C

REF	PART NO.	QTY	DESCRIPTION	SEE SEC.	NOTES
1				4853	
	3581061	1	Compressor		SN-2204404631
	3803263	1	Compressor, exch, exch		SN-2204404631
				4853	
2	965186	4	Flange screw		
3	971098	4	Flange lock nut		
4	976945	4	Washer		(960148)
5	849845	1	Spacer sleeve		
6	861563	1	Tension pulley		
7	959245	1	Hex. socket screw		
8	860388	1	Drive belt		
9	860778	1	Belt protector		
10	953031	2	Stud		
11	968975	2	Stud		
12	860818	1	Spacer		
13	833244	1	Spacer sleeve		
14	861019	4	Lock plug		
15	3581431	1	Connection pipe		
16	946934	6	Flange screw		L=20mm
17	3580938	1	Muffler		
18	864722	2	Sealing ring		
19	6812747	1	Rubber cap		
20	860400	1	Connection pipe		
21	946934	5	Flange screw		L=20mm
	965212	1	Flange screw		L=35mm
22	860371	1	Bracket		
23	946329	3	Flange screw		
24	872531	1	Hose clamp		
25	3581323	1	Muffler		

7738870-25-3427B

18607

Upd:2012-02-13