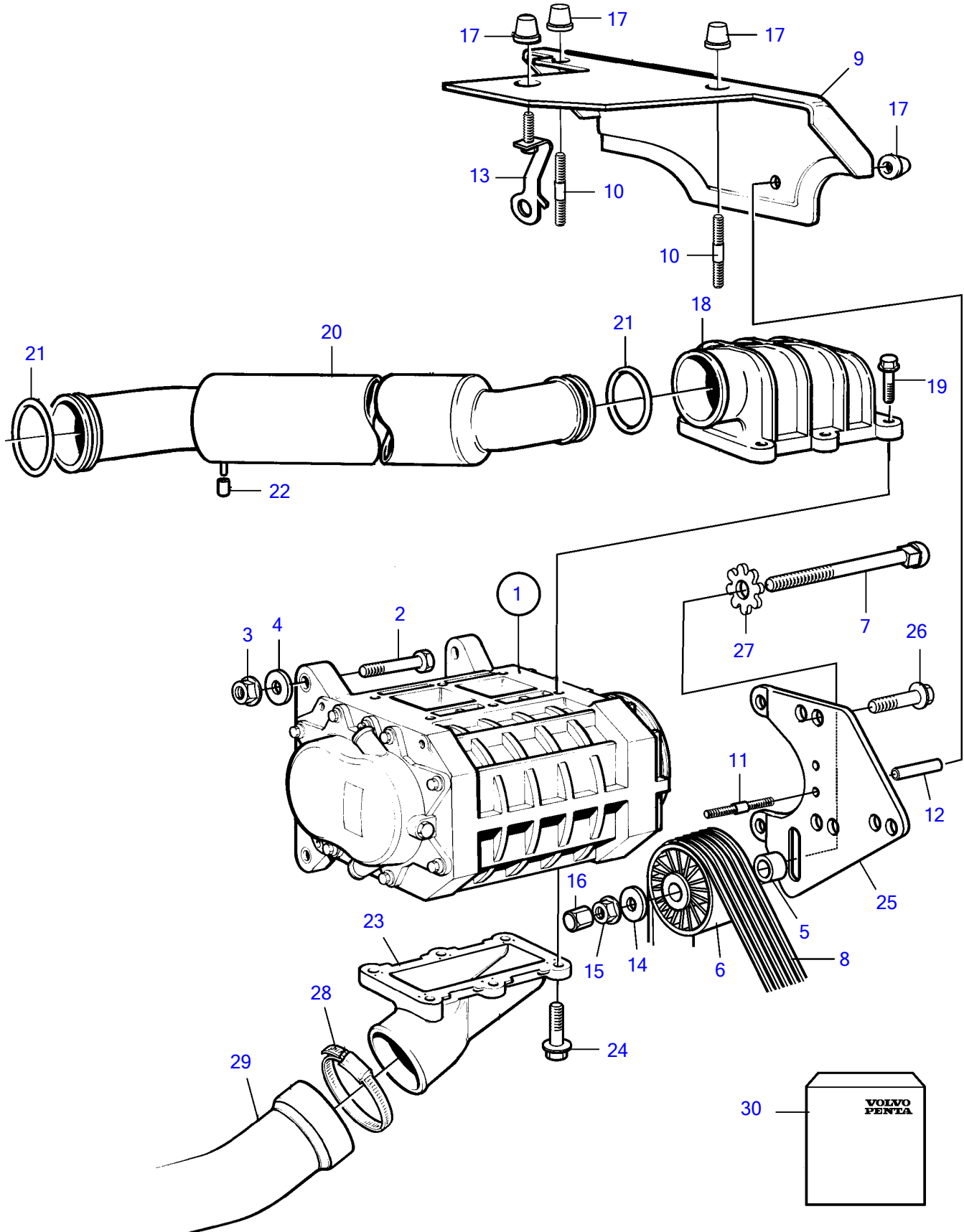


KAD43P-A, KAMD43P-A



KAD43P-A, KAMD43P-A

REF	PART NO.	QTY	DESCRIPTION	SEE SEC.	NOTES
1	3581061	1	Compressor		SN2204303259-
	3803263	1	Compressor, exch, exch		SN2204303259-
			.		
			.	4853	
			.		
			.	4853	
			.		
			.	4853	
2	965186	4	Flange screw		
3	971098	4	Flange lock nut		
4	976945	4	Washer		(960148)
5	3582190	1	Spacer		Included in service kit.
6	3582324	1	Tension pulley		Included in service kit.
7	982331	1	Square neck screw		Included in service kit.
8	860388	1	Drive belt		
9	860778	1	Belt protector		
10	953031	2	Stud		
11	968975	2	Stud		
12	3582517	1	Tube		
13	3582492	1	Bracket		Included in service kit.
14	976945	1	Washer		
15	971095	1	Flange nut		Included in service kit.
16	3582677	1	Nut		Included in service kit.
17	861019	4	Lock plug		
18	3581431	1	Connection pipe		
19	946934	6	Flange screw		L=20mm
20	3580938	1	Muffler		
21	864722	2	Sealing ring		
22	6812747	1	Rubber cap		
23	860400	1	Connection pipe		
24	946934	5	Flange screw		L=20mm
	965212	1	Flange screw		L=35mm
25	3582166	1	Bracket		Included in service kit.
26	946329	3	Flange screw		
27	3582168	1	Gear		Included in service kit.
28	872531	1	Hose clamp		
29	3581323	1	Muffler		
30	877180	1	Service kit		
			· Bulletin 44-48	44-48-EN	Belt tensioner Upgrade Kit for D32, 42WJ, 42, 42, 44