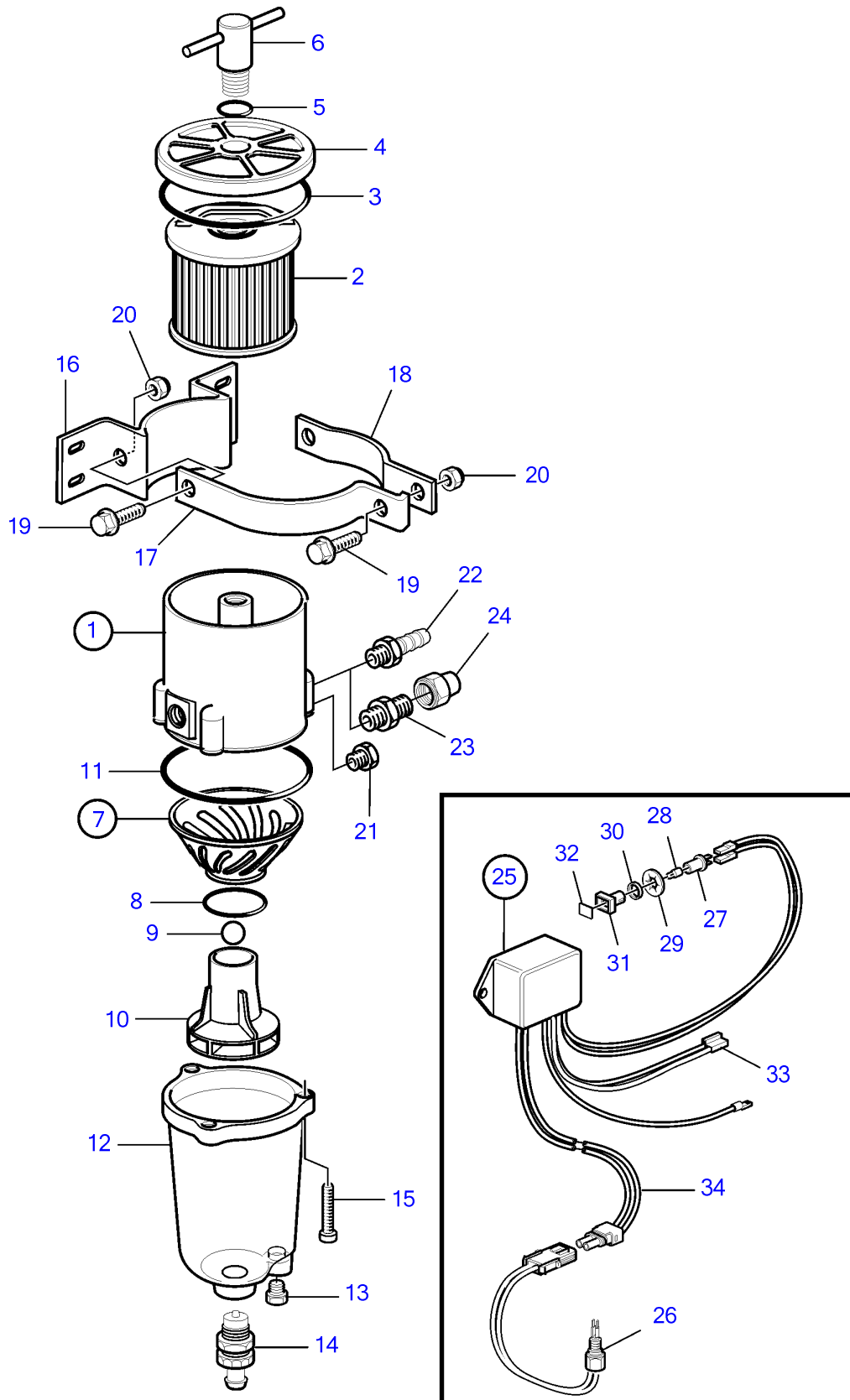


KAD32P, KAD32P-A, TAMD42WJ-A, KAD43P, KAD43P-A, KAMD43P, KAMD43P-A, KAD44P, KAD44P-A, KAD44P-B, KAD44P-C, KAMD44P, KAMD44P-A, KAMD44P-B, KAMD44P-C, KAD300, , KAMD300, KAMD300-A



KAD32P, KAD32P-A, TAM42WJ-A, KAD43P, KAD43P-A, KAMD43P, KAMD43P-A, KAD44P, KAD44P-A, KAD44P-B, KAD44P-C, KAMD44P, KAMD44P-A, KAMD44P-B, KAMD44P-C, KAD300, , KAMD300, KAMD300-A

| REF | PART NO. | QTY | DESCRIPTION            | SEE SEC.  | NOTES   |
|-----|----------|-----|------------------------|-----------|---|
| 1   | 861143   | 1   | Fuel filter            |           | Repl by 877762                                    |
|     |          |     | • Bulletin 50-03       | 50-03-EN  | Extra Fuel/Water Separators, D2010, D22           |
|     |          |     | • Bulletin 50-10       | 50-10-EN  | Changes in Fuel Filter Program due to Legislation |
|     |          |     | • Bulletin 50-11A      | 50-11A-EN | Fuel Filters / Water Separators                   |
| 1   | 877762   | 1   | Fuel filter            |           |   |
|     |          |     | •                      |           |   |
|     |          |     | •                      | 9024      |   |
| 2   | 861014   | 1   | • Insert               |           |   |
| 3   | 838504   | 1   | • Gasket               |           |   |
| 4   |          | 1   | • Lock                 |           |   |
| 5   | 838505   | 1   | • O-ring               |           |   |
| 6   |          | 1   | • Handle               |           |   |
| 7   | 861455   | 1   | • O-ring               |           |   |
| 8   |          | 1   | • • O-ring             |           |   |
| 9   |          | 1   | • • Ball               |           |   |
| 10  |          | 1   | • • Insert             |           |   |
| 11  | 3838861  | 1   | • • Gasket             |           | (838502)  |
| 12  | 3838848  | 1   | • Bowl                 |           | (861453)  |
| 13  |          | 1   | • Plug                 |           |   |
| 14  | 861456   | 1   | • Faucet               |           |   |
| 15  | 950024   | 4   | • Cross recessed screw |           |   |
| 16  |          | 1   | • Bracket              |           |   |
| 17  |          | 1   | • Clamp                |           |   |
| 18  |          | 1   | • Clamp                |           |   |
| 19  |          | 3   | • Screw                |           |   |
| 20  |          | 3   | • Nut                  |           |   |
| 21  |          | 1   | • Plug                 |           |   |
| 22  | 3825000  | X   | Hose nipple            |           | (834781)  |
| 23  | 954337   | X   | Nipple                 |           |   |
| 24  | 954323   | X   | Fitting nut            |           |   |
| 25  | 1140724  | 1   | Level guard            |           |   |
| 26  | 3588916  | 1   | • Alarm kit            |           |   |
| 27  | 808175   | 1   | • Lamp socket          |           |   |
| 28  | 19923    | 1   | • Bulb                 |           | 12V, 2W   |
|     | 182059   | 1   | • Bulb                 |           | 24V, 3W   |
| 29  | 967583   | 1   | • Retainer             |           |   |
| 30  | 829714   | 1   | • Sealing ring         |           |   |
| 31  | 838455   | 1   | • Retainer             |           |   |
| 32  | 872591   | 1   | • Symbol strip         |           |   |
| 33  |          | X   | • cables and terminals | 1963      |   |
| 34  | 881774   | 1   | Wiring harness         |           |   |