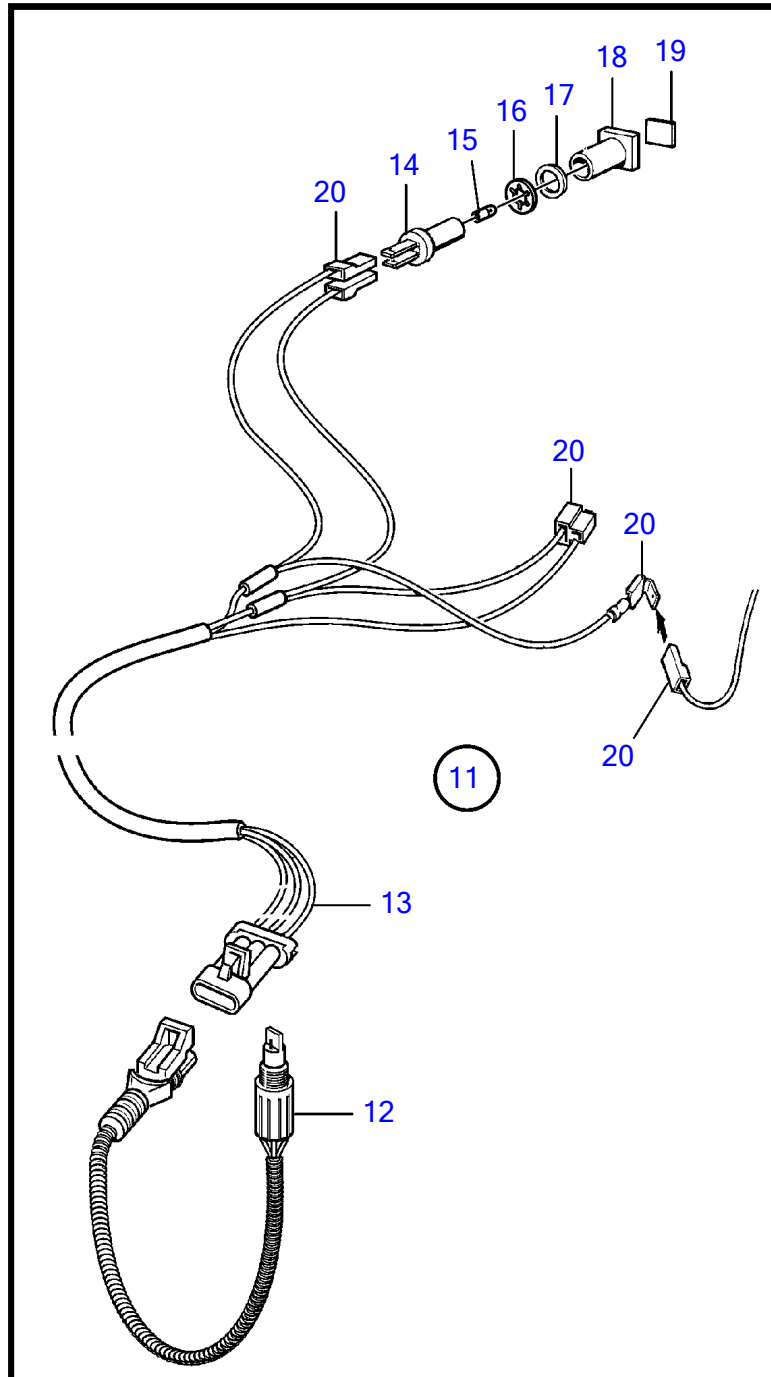
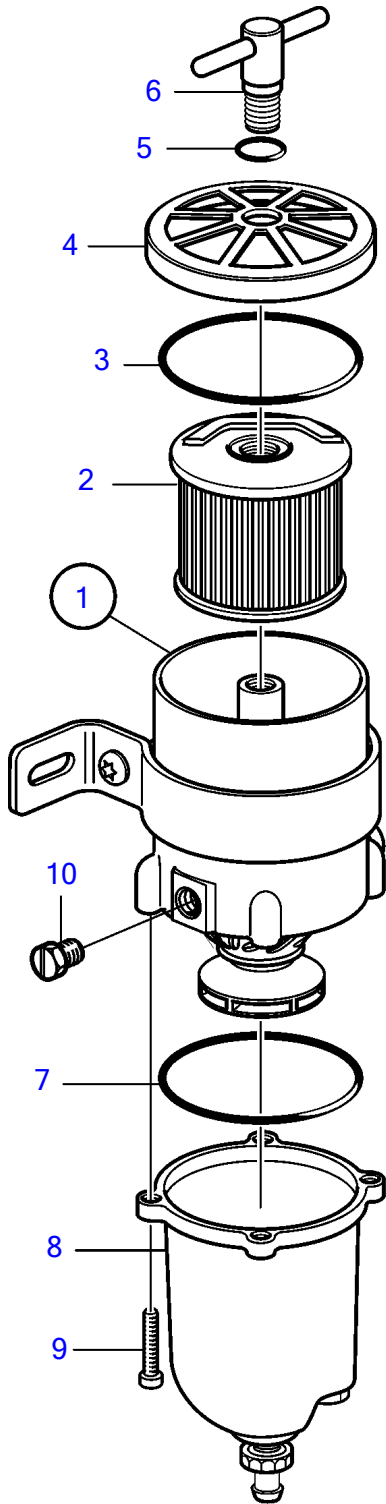


KAD32P, KAD32P-A, TAMD42WJ-A, KAD43P, KAD43P-A, KAMD43P, KAMD43P-A, KAD44P, KAD44P-A, KAD44P-B, KAD44P-C, KAMD44P, KAMD44P-A, KAMD44P-B, KAMD44P-C, KAD300, , KAMD300, KAMD300-A



KAD32P, KAD32P-A, TAMD42WJ-A, KAD43P, KAD43P-A, KAMD43P, KAMD43P-A, KAD44P, KAD44P-A, KAD44P-B, KAD44P-C, KAMD44P, KAMD44P-A, KAMD44P-B, KAMD44P-C, KAD300, , KAMD300, KAMD300-A

REF	PART NO.	QTY	DESCRIPTION	SEE SEC.	NOTES
1	877763	1	Fuel filter		
2	861014	1	• Insert		
3	838504	1	• Gasket		
4		1	• Strainer		
5	838506	1	• O-ring		
6		1	• Handle		
7	3838861	1	• Gasket		
8	3838849	1	• Bowl		
9	950024	4	• Cross recessed screw		
10	952075	1	• Plug		
11	1140724	1	Level guard		
12	3588916	1	• Alarm kit		
13	881774	1	• Wiring harness		
14	808175	1	• Lamp socket		
15	19923	1	• Bulb		12V, 2W
	182059	1	• Bulb		24V, 3W
16	967583	1	• Retainer		
17	829714	1	• Sealing ring		
18	838455	1	• Retainer		
19	872591	1	• Symbol strip		
20		X	• cables and terminals	1963	