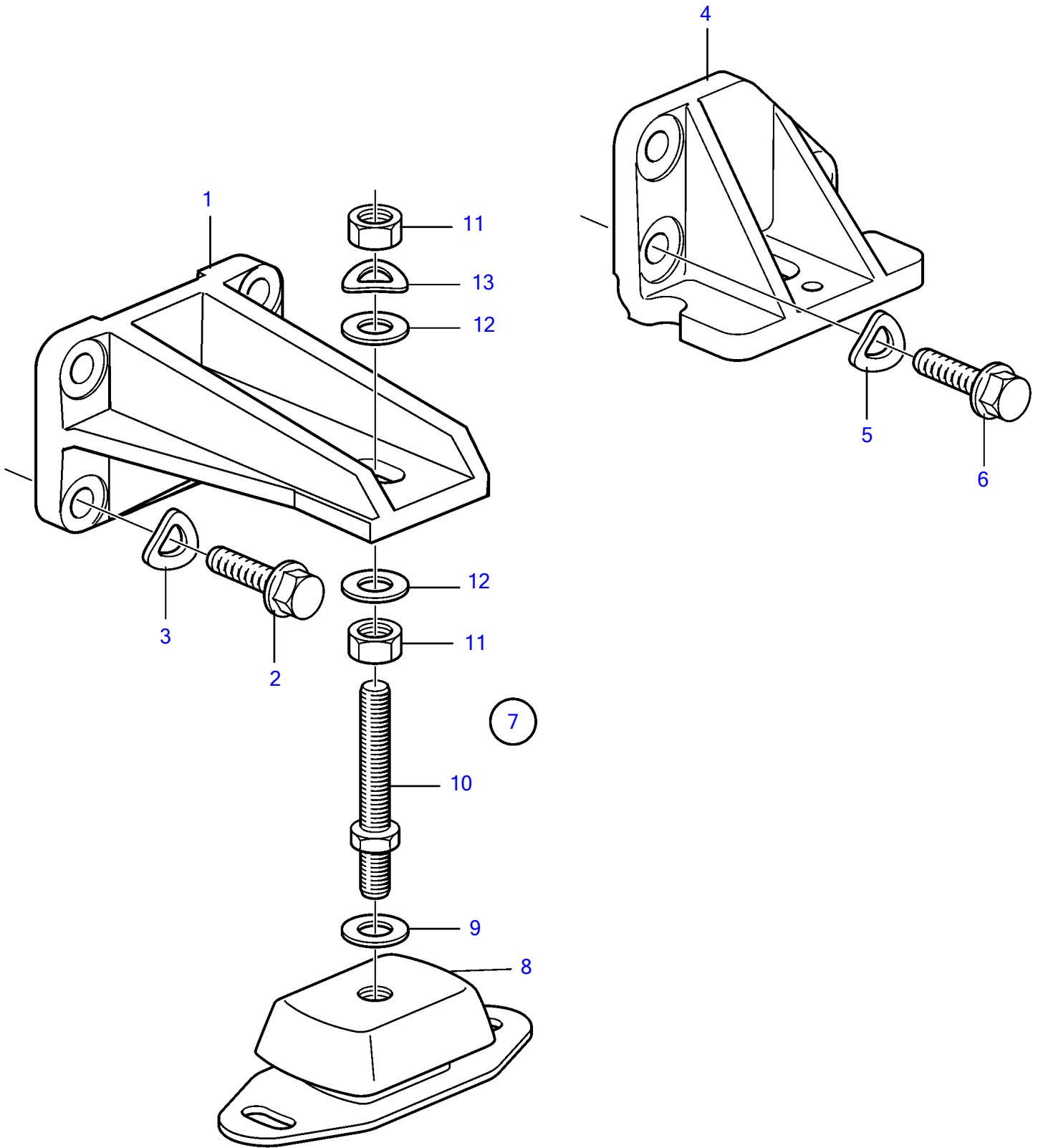


KAD32P-A



22710

KAD32P-A

REF	PART NO.	QTY	DESCRIPTION	NOTES
1	3580748	2	Engine bracket	Front
2	965192	6	Flange screw	L=40mm
	965193	2	Flange screw	L=50mm
3	940280	6	Spring washer	
4	860952	1	Engine bracket	P, rear
	860954	1	Engine bracket	S.B, rear
5	940280	4	Spring washer	
	955897	2	Washer	
6	965225	4	Flange screw	L=35mm
	965226	2	Flange screw	L=45mm
7	876598	4	Rubber element	Replaced by 846765, 846768 and 955900
8	846765	4	Rubber element	
9	955900	4	Washer	
10	860950	4	Adjusting screw	
11	955806	8	Hexagon nut	
12	955901	4	Washer	D=34mm
	978991	4	Washer	D=40mm
13	941913	4	Spring washer	